



Technology for Vacuum Systems

Instructions for use

Part I of II



ME 16C NT VARIO o.C.
MV 10C NT VARIO o.C.
MD 12C NT VARIO o.C.
PC 3010 NT VARIO o.C.
PC 3012 NT VARIO o.C.
PC 3012 NT VARIO o.C. + EK Peltronic
PC 3016 NT VARIO o.C.

Part I:
Safety information -
Technical data -
Use and operation

**Speed controlled chemistry diaphragm pumps
and chemistry pumping units without Controller (o.C.)**

Dear customer,

Your VACUUBRAND diaphragm pumps are designed to provide you with many years of trouble-free service with optimal performance. Our many years of practical experience allow us to provide a wealth of application and safety information. Please read these instructions for use before the initial operation of your pump.

VACUUBRAND diaphragm pumps combine our many years of experience in design, construction and practical operation, with the latest developments in material and manufacturing technology.

Our quality maxim is the "zero defect" principle:

Every diaphragm pump, before leaving our factory, is tested intensively, including an endurance run of 18 hours. Any faults, even those which occur rarely, are identified and can be eliminated immediately.

After completion of the endurance run, every pump is tested, and must achieve specifications before shipment.

We are committed to providing our customers only pumps that meet this high quality standard.

While our pumps cannot eliminate all of your work, we design, manufacture and test them to ensure that they will be an effective and trouble-free tool to assist you in that work.

Yours,

VACUUBRAND GMBH + CO KG


After sales service:

Contact your local dealer or call +49 9342 808-5500.


Trademark index:

VACUU•LAN® (US-Reg.No 3,704,401), VACUU•BUS®, VACUU•CONTROL™, chemistry-HYBRID™, Peltronic®, TURBO•MODE™, VARIO® (US-Reg.No 3,833,788), VARIO-SP™, VACUUBRAND® (US-Reg.No 3,733,388) and also the shown company logos are trademarks of VACUUBRAND GMBH + CO KG in Germany and/or other countries.

DE

Achtung: Die vorliegende Betriebsanleitung ist nicht in allen EU-Sprachen verfügbar. Der Anwender darf die beschriebenen Geräte nur dann in Betrieb nehmen, wenn er die vorliegende Anleitung versteht oder eine fachlich korrekte Übersetzung der vollständigen Anleitung vorliegen hat. Die Betriebsanleitung muss vor Inbetriebnahme der Geräte vollständig gelesen und verstanden werden, und alle geforderten Maßnahmen müssen eingehalten werden.  "Sicherheitshinweise für Vakuumgeräte"

EN

Attention: This manual is not available in all languages of the EU. The user must not operate the device if he does not understand this manual. In this case a technically correct translation of the complete manual has to be available. The manual must be completely read and understood before operation of the device and all required measures must be applied.  "Safety instructions for vacuum equipment"

FR

Attention: Le mode d'emploi présent n'est pas disponible dans toutes les langues d'Union Européenne. L'utilisateur ne doit mettre le dispositif en marche que s'il comprend le mode d'emploi présent ou si une traduction complète et correcte du mode d'emploi est sous ses yeux. Le dispositif ne doit pas être mis en marche avant que le mode d'emploi ait été lu et compris complètement et seulement si le mode d'emploi est observé et tous les mesures demandées sont prises.

 «Avis de sécurité pour des dispositifs à vide»

BG

Внимание: Тези инструкции не са преведени на всички езици от ЕО. Потребителят не бива да работи с уреда, ако не разбира инструкциите за ползване. В този случай е необходимо да бъде предоставен пълен технически превод на инструкциите за ползване. Преди работа с уреда е задължително потребителят да прочете изцяло инструкциите за работа.


 "Указания за безопасност за вакуумни уреди"

CN

注意：该操作手册不提供所有的语言版本。操作者在没有理解手册之前，不能操作该设备。在这种情况下，需要有一个整个操作手册技术上正确的翻译。在操作该设备前，必须完全阅读并理解该操作手册，必须实施所有需要的测量。

 真空设备的安全信息

CZ


Upozornění :Tento návod k použití není k dispozici ve všech jazycích Evropské unie. Uživatel není oprávněn požit přístroj pokud nerozumí tomuto návodu. V takovém případě je nutno zajistit technicky korektní překlad manuálu do češtiny. Návod musí být uživatelem prostudován a uživatel mu musí plně porozumět před tím než začne přístroj používat. Uživatel musí dodržet všechna příslušná a požadovaná opatření.  "Bezpečnostní upozornění pro vakuové přístroje".

DA


Bemærk: Denne manual foreligger ikke på alle EU sprog. Brugeren må ikke betjene apparatet hvis manualen ikke er forstået. I det tilfælde skal en teknisk korrekt oversættelse af hele manual stilles til rådighed. Manual skal være gennemlæst og forstået før apparatet betjenes og alle nødvendige forholdsregler skal tages.

 »Sikkerhedsregler for vakuumdstyr«


EE

Tähelepanu! Käesolev kasutusjuhend ei ole kõigis EL keeltes saadaval. Kasutaja ei tohi seadet käsitseda, kui ta ei saa kasutusjuhendist aru. Sel juhul peab saadaval olema kogu kasutusjuhendi tehniliselt korrektne tõlge. Enne seadme kasutamist tuleb kogu juhend läbi lugeda, see peab olema arusaadav ning kõik nõutud meetmed peavad olema rakendatud.  "Ohutusnõuded vaakumseadmetele"


ES

Atención: Este manual no está disponible en todos los idiomas de UE. El usuario no debe manejar el instrumento si no entiende este manual. En este caso se debe disponer de una traducción técnicamente correcta del manual completo. El manual debe ser leído y entendido completamente y deben aplicarse todas las medidas de seguridad antes de manejar el instrumento.  "Notas sobre la seguridad para equipos de vacío"

FI


Huomio: Tämä käyttöohje ei ole saatavilla kaikilla EU: n kielillä. Käyttäjä ei saa käyttää laitetta, jos hän ei ymmärrä tätä ohjekirjaa. Tässä tapauksessa on saatavilla oltava teknisesti oikein tehty ja täydellinen ohjekirjan käännös. Ennen laitteen käyttöä on ohjekirja luettava ja ymmärrettävä kokonaan sekä suoritettava kaikki tarvittavat valmistelut ja muut toimenpiteet.  "Vakuumlaitteen turvallisuustiedot"

GR


Προσοχή! : Οι οδηγίες αυτές δεν είναι διαθέσιμες σε όλες τις γλώσσες της Ευρωπαϊκής Ένωσης. Ο χρήστης δεν πρέπει να θέσει σε λειτουργία την συσκευή αν δεν κατανοήσει πλήρως τις οδηγίες αυτές. Σε τέτοια περίπτωση ο χρήστης πρέπει να προμηθευτεί ακριβή μετάφραση του βιβλίου οδηγιών. Ο χρήστης πρέπει να διαβάσει και να κατανοήσει πλήρως τις οδηγίες χρήσης και να λάβει όλα τα απαραίτητα μέτρα πριν θέσει σε λειτουργία την συσκευή.  "Υποδείξεις ασφάλειας για αντλίες κενού"

HR


Pažnja: ove upute ne postoje na svim jezicima Europske Unije. Korisnik nemora raditi sa aparatom ako ne razumije ove upute. U tom slučaju tehnicki ispravni prijevod cijelih uputstava mora biti na raspolaganju. Uputstva moraju biti cijela procitana i razumljiva prije rada sa aparatom i sve zahtijevane mjere moraju biti primjenjene.

 "Sigurnosne napomene za vakuumske uređaje"

HU

Figyelem! Ez a kezelési utasítás nem áll rendelkezésre az EU összes nyelvén. Ha a felhasználó nem érti jelen használati utasítás szövegét, nem üzemeltetheti a készüléket. Ez esetben a teljes gépkönyv fordításáról gondoskodni kell. Üzembe helyezés előtt a kezelőnek végig kell olvasnia, meg kell értenie azt, továbbá az üzemeltetéshez szükséges összes mérést el kell végeznie.  "A vákuum-készülékekkel kapcsolatos biztonsági tudnivalók"

IT

Attenzione: Questo manuale non è disponibile in tutte le lingue della Comunità Europea (CE). L'utilizzatore non deve operare con lo strumento se non comprende questo manuale. In questo caso deve essere resa disponibile una traduzione tecnicamente corretta del manuale completo. Il manuale deve essere completamente letto e compreso prima di operare con lo strumento e devono essere applicati tutti gli accorgimenti richiesti.  "Istruzioni di sicurezza per apparecchi a vuoto"


JP

注意：この取扱説明書はすべての言語で利用可能ではありません。もしこの取扱説明書を理解できないならば、ユーザーは装置を操作してはなりません。この場合、技術的に正しい翻訳がなされた完全なマニュアルを用意しなければなりません。装置を作動する前にマニュアルを完全に読み、そして理解されなくてはなりません。そして、すべての要求される対策を講じなければなりません。


 真空装置を安全に取り扱うために

KR


주의: 이 매뉴얼은 모든 언어로 번역되지 않습니다. 만약 이 매뉴얼의 내용을 충분히 인지하지 못했다면 기기를 작동하지 마십시오. 매뉴얼의 내용을 기술적으로 정확하게 번역한 경우에 이용하십시오. 기기를 사용하기 전에 이 매뉴얼을 충분히 읽고 이해하고 모든 요구되는 사항들을 적용해야 합니다.

 진공 장비에 대한 안전 정보


LT

Dėmesio: šis vadovas nėra pateikiamas visomis ES kalbomis. Naudotojui draudžiama eksploatuoti įtaisą, jeigu jis nesupranta šio vadovo. Tokiu atveju reikia turėti viso vadovo techniškai taisyklingą vertimą. Vadovą būtina visą perskaityti ir suprasti pateikiamas instrukcijas prieš pradėdant eksploatuoti įtaisą, bei imtis visų reikiamų priemonių.  "Vakuuminės įrangos saugos informacija"

LV

Uzmanību: Lietotāja instrukcija nav pieejama visās ES valodās. Lietotājs nedrīkst lietot iekārtu, ja viņš nesaprot lietotāja instrukcijā rakstīto. Šādā gadījumā, ir nepieciešams nodrošināt tehniski pareizu visas lietotāja instrukcijas tulkojumu. Pirms sākt lietot iekārtu, un, lai izpildītu visas nepieciešamās prasības, iekārtas lietotāja instrukcija ir pilnībā jāizlasa un jāsaprot.  "Vakuuma iekārtu drošības noteikumi"

NL


Attentie: Deze gebruiksaanwijzing is niet in alle talen van de EU verkrijgbaar. De gebruiker moet niet met dit apparaat gaan werken als voor hem/haar de gebruiksaanwijzing niet voldoende duidelijk is. Bij gebruik van deze apparatuur is het noodzakelijk een technisch correcte vertaling van de complete gebruiksaanwijzing te hebben. Voor het in gebruik nemen van het apparaat moet de gebruiksaanwijzing volledig gelezen en duidelijk zijn en dienen alle benodigde maatregelen te zijn genomen.  "Veiligheidsvoorschriften voor vacuümapparaten"

PL

Uwaga!! Ta instrukcja nie jest dostępna we wszystkich językach Unii Europejskiej. Użytkownik nie może rozpocząć pracy z urządzeniem dopóki nie przeczytał instrukcji i nie jest pewien wszystkich informacji w niej zawartych. Instrukcja musi być w całości przeczytana i zrozumiana przed podjęciem pracy z urządzeniem oraz należy podjąć wszystkie niezbędne kroki związane z prawidłowym użytkowaniem.

 "Wskazówki bezpieczeństwa do urządzeń próżniowych"

PT


Atenção: Este manual não está disponível em todas as línguas da UE. O usuário não deve utilizar o dispositivo, se não entender este manual. Neste caso, uma tradução tecnicamente correta do manual completo tem de estar disponível. O manual deve ser lido e entendido completamente antes da utilização do equipamento e todas as medidas necessárias devem ser aplicadas.  "Informação de Segurança para Equipamento que funciona a Vácuo"

RO

Atentie: Acest manual nu este disponibil in toate limbile EU. Utilizatorul nu trebuie sa lucreze cu aparatul daca nu intelege manualul. Astfel, va fi disponibile o traducere corecta si completa a manualului. Manualul trebuie citit si inteles in intregime inainte de a lucra cu aparatul si a luat toate masurile care se impun.

 "Instrucțiuni de siguranță pentru aparatele de vidare"

RU

Внимание: Эта инструкция по эксплуатации не имеется на всех языках. Потребителю не дозволено эксплуатировать данный прибор, если он не понимает эту инструкцию. В этом случае нужен технически правильный перевод полной инструкции. Прежде чем использовать этот прибор, необходимо полностью прочитать и понять эту инструкцию и принять все необходимые меры.  "Указания по технике безопасности при работе с вакуумными устройствами"


SE

Varning: Denna instruktion är inte tillgänglig på alla språk inom EU. Användaren får inte starta utrustningen om hon/han inte förstår denna instruktion. Om så är fallet måste en tekniskt korrekt instruktion göras tillgänglig. Instruktionen måste läsas och förstås helt före utrustningen tas i drift och nödvändiga åtgärder göres.


 "Säkerhetsinformation för vakuumutrustning"

SI


Pozor: Ta navodila niso na voljo v vseh jezikih EU. Uporabnik ne sme upravljati z napravo, če ne razume teh navodil. V primeru nerazumljivosti mora biti na voljo tehnično pravilen prevod. Navodila se morajo prebrati in razumeti pred uporaba naprave, opravljene pa moraja biti tudi vse potrebne meritve.

 "Varnostni nasveti za vakuumske naprave"

SK

Upozornenie: Tento manuál nie je k dispozícii vo všetkých jazykoch EÚ. Užívateľ nesmie obsluhovať zariadenie, pokiaľ nerozumie tomuto manuálu. V takomto prípade musí byť k dispozícii technicky správny preklad celého manuálu. Pred obsluhou zariadenia je potrebné si prečítať celý manuál a porozumieť mu, a musia byť prijaté všetky opatrenia.  "Bezpečnostné pokyny pre vákuové zariadenia"

TR

Dikkat : Bu kullanım kitabı, tüm dillerde mevcut değildir. Kullanıcı, bu kullanım kitabını anlayamadıysa cihazı çalıştırmamalıdır. Bu durumda, komple kullanım kitabının, teknik olarak düzgün çevirisinin bulunması gerekir. Cihazın çalıştırılmasından önce kullanım kitabının komple okunması ve anlaşılması ve tüm gerekli ölçümlerin uygulanması gerekir.  "Vakumlu cihazlar için güvenlik uyarıları"

Contents

Part I.....	1
Safety information!.....	10
Important information!	10
General information.....	12
Intended use.....	12
Setting up and installing the equipment	13
Ambient conditions	16
Operating conditions	16
Safety during operation	18
Maintenance and repair.....	21
⚠ Important information: Equipment marking (ATEX).....	23
Technical data.....	25
General technical data valid for all pumps	25
Gas inlet temperatures	28
Wetted parts	29
Abbreviations.....	30
Pump parts	30
Use and operation	33
Installation	33
Vacuum connection (inlet)	34
Separator (AK) at the inlet.....	35
Connecting the outlet	36
Exhaust waste vapor condenser (EK) at the outlet	37
Emission condenser Peltronic at the outlet	39
Electrical connection	40
During operation.....	41
Important notes regarding the use of gas ballast	43
In case of condensation	44
Shutdown & storage	45
Accessories / Spare parts.....	46
Troubleshooting	49
Replacing the device fuse	51
Part II.....	52
Replacing diaphragms and valves.....	55
Disassembling the pump housing	57

Checking diaphragms and valves	65
Replacing the diaphragms.....	66
Replacing the valves	70
Replacing the valve at the distributor	76
Assembling the pump housing	80
Replacing the overpressure safety relief device	89
Notes on return to the factory	92
Warranty	95
Health and safety clearance form	96
EC Declaration of Conformity of the Machinery	97

Safety information!

Important information!



- ☞ **Keep this manual complete and accessible to personnel at all times!**
- ☞ **Read this manual carefully before installing or operating the equipment. Observe the instructions contained in this manual.**

- ☞ **Do not modify the equipment without authorization.**

NOTICE

This manual is an integral part of the equipment described therein. It describes the safe and proper use of the vacuum pump. The manual consists of two parts. Make operating personnel aware of dangers arising from the pump and the pumped substances. VACUUBRAND disclaims any liability for inappropriate use of these pumps and for damage from failure to follow instructions contained in this manual.

This manual is only to be used and distributed in its complete and original form. It is strictly the users' responsibility to check carefully the validity of this manual with respect to his product.

Manual-no.: 999270 / 10/11/2012

The following signal word panels and safety symbols are used throughout this manual:



This is the safety alert symbol. It is used to alert you to potential personal injury hazards. Obey all safety messages that follow this symbol to avoid possible injury and death.



➔ DANGER indicates a hazardous situation which, if not avoided, will result in death or serious injury.



☞ WARNING indicates a hazardous situation which, if not avoided, could result in death or serious injury.



• CAUTION indicates a hazardous situation which, if not avoided, could result in minor or moderate injury.



NOTICE is used to address practices not related to personal injury.



Caution! Hot surface!



Disconnect equipment from AC power.

Formatting used in this manual:

Note: The signal word panels in all sections of this manual always refer to all paragraphs of the same format (➔ / ☞ / • / plain text) following each signal word panel.

The document "Safety information for vacuum equipment" is part of this manual! Read the "Safety information for vacuum equipment" and observe the instructions contained therein!

General information

To operate the pump / the pumping unit, a CVC 3000 (software version 2.17 or higher) or VNC 2 VARIO (software version 1.25 or higher) VACUUBRAND controller is required!

NOTICE

Remove all packing material from the packing box. Remove the product from its packing-box and retain all packaging until the equipment is inspected and tested. Remove the protective caps from the inlet and outlet ports and retain for future use. Inspect the equipment promptly and carefully.

If the equipment is damaged, notify the supplier and the carrier in writing within three days. Retain all packing material for inspection. State the item number of the product together with the order number and the supplier's invoice number. Failure to check and give notice of damage will void any and all warranty claims for those deficiencies.

Replace the protective caps, if the equipment is not used immediately. Store the equipment in dry and non-corrosive conditions (see also "Technical data", pg. 25).

WARNING

☞ **Do not use any damaged equipment.**

CAUTION

- Use the handles when moving the pump.

Intended use

WARNING

- ☞ Do not use the pump or any system parts on humans or animals.
- ☞ Prevent any part of the human body from coming into contact with vacuum.
- ☞ Ensure that the individual components are only connected, combined and operated according to their design and as indicated in the instructions for use.
- ☞ Comply with all notes on correct vacuum and electrical connections; see section "Use and operation", pg. 33.

- ☞ Do not use the pump to generate pressure.
- ☞ The pumps are designed for **ambient temperatures** during operation between +50°F and +104°F (+10°C and +40°C). Periodically check maximum temperatures if installing the pump in a cabinet or a housing. Make sure ventilation is adequate to maintain recommended operating temperature. Install an external automatic ventilation system if necessary. If pumping hot process gases, make sure that the maximum permitted gas inlet temperature is not exceeded. The maximum permitted gas inlet temperature depends on several parameters like inlet pressure and ambient temperature (see “Technical data”, pg. 25).
- ☞ Do not aspirate particles and dust.
- ☞ Do not pump liquids.

CAUTION

- Ensure that the pump is chemically resistant to the pumped substances prior to operation.

NOTICE

Use the equipment **only as intended**, that is, for generation, measurement, and control of vacuum in vessels designed for that purpose. Any other use will automatically invalidate all warranty and liability claims. Remain aware of safety and risks.

Setting up and installing the equipment

DANGER

- ➔ Equipment must be connected only to a **suitable electrical supply** and a suitable ground point. As such, the plug must be plugged into an outlet that is properly grounded. Failure to connect the motor to ground may result in deadly electrical shock.

The supply cable may be fitted with a molded European IEC plug or a plug suitable for your local electrical supply. The cable contains wires color coded as follows: green or green and yellow: ground; blue or white: neutral; brown or black: hot.

! WARNING

- ☞ Due to the high compression ratio, the pump may generate overpressure at the outlet. Check pressure compatibility with system components (e.g., exhaust pipeline or exhaust valve) at the outlet.
- ☞ Do not permit any **uncontrolled pressurizing**. Make sure that the exhaust pipeline cannot become blocked. If there is an exhaust isolation valve, make sure that you cannot operate the equipment with the valve closed to avoid a **risk of bursting!**
- ☞ Always provide a free and pressureless exhaust outlet to avoid damage to pump valves and risk of bursting of condenser glassware.
- ☞ Check the overpressure safety relief device at the exhaust waste vapor condenser at appropriate intervals.

- ☞ Keep the electrical power cord away from heated surfaces.

! CAUTION

- Provide a firm, level platform for the equipment. Check that the system which you are going to evacuate is mechanically stable. Check that all fittings are secure. Ensure a stable position of the pump without any mechanical contact other than the pump feet.

- Comply with **maximum permissible pressures** at inlet and outlet and with **maximum permissible pressure differences** between inlet and outlet. See section "Technical data", pg. 26. Do not operate the pump with overpressure at the inlet.

- Avoid overpressure of more than 17.5 psi absolute (1.2 bar absolute) in the event that inert gas is connected to the pump, to the gas ballast or to a venting valve.

- **Note:** Flexible elements will shrink when evacuated.
- Connect hoses gas tight at inlet and outlet of the pump.

- Ensure that no foreign objects can be drawn into the pump.

- Check the power source and the pump's rating plate to be sure that the power source and the equipment match in voltage, phase, and frequency.
- Ensure that the **coolant outlet pipe** is always free and that it cannot get blocked. If installing an optional coolant valve, it must always be in the supply line of the exhaust waste vapor condenser.

NOTICE

Keep a minimum distance of 8 in (20 cm) between the cooling fans and surrounding items (e.g., housing, walls, etc.). Make sure the fans' air supply is adequate. Do not place the pump on soft surfaces (e.g., rubber foam) during operation. This may reduce the air circulation in the pump housing and affect the fans' cooling effect. Check fans regularly for dust/dirt. Clean fan guard grills if necessary to avoid a reduction of ventilation.

Use only hoses at the inlet and outlet of the pump with an inner diameter at least as large as the diameter of the pump's tubing (to avoid overpressure at the outlet, and reduction of pumping speed at the inlet).

Allow the equipment to equilibrate to ambient temperature if you bring it from cold environment into a room prior to operation. Notice if there is water condensation on cold surfaces.

Secure coolant hoses at the hose nozzles (e.g., with hose clamp) to prevent their accidental slipping.

Comply with all **applicable and relevant safety requirements** (regulations and guidelines). **Implement the required actions and adopt suitable safety measures.**

Ambient conditions

! DANGER

- ➔ Do not reach for this product if it has fallen into liquid. There is a risk of deadly electrical shock. Unplug the system immediately.

! WARNING

- ☞ Do not use this product in an area where it can fall or be pulled into water or other liquids.
- ☞ Pay attention to the **permissible maximum ambient and gas inlet temperatures** (see “Technical data”, pg. 25).

! CAUTION

- Adopt suitable measures in case of differences from recommended conditions, e.g., using the equipment outdoors, installation in altitudes of more than 6500 ft (2000 m) above mean sea level, conductive pollution or external condensation on the pump.
- Do not operate this product near flames.


NOTICE

To the best of our knowledge the equipment is in compliance with the requirements of the applicable EC-directives and harmonized standards (see “Declaration of Conformity”) with regard to design, type and model. Directive EN 61010-1 gives in detail the conditions under which the equipment can be operated safely (see also IP degree of protection, “Technical data”, pg. 25).

Operating conditions

! DANGER

- ➔ These pumps are not approved for operation in potentially explosive atmospheres. **Do not operate the pumps in potentially explosive atmospheres.**
- ➔ Pumps **without the “Ex” mark on the rating plate are not approved for the pumping of potentially explosive atmospheres. Do not pump potentially explosive atmospheres** with those pumps.
- ➔ Pumps **bearing the “Ex” mark on their rating plates are approved for the pumping of potentially ex-**

plosive atmospheres according to their classification **II 3G IIC T3 X** according to ATEX, but they are **not approved for operation in potentially explosive atmospheres** (see section “ Important information: Equipment marking (ATEX)”, pg. 23).

- ➔ The pumps are **not suitable** to pump any of the substances listed below.

Do not pump:

- **unstable substances**
- substances which react explosively under **impact** (mechanical stress) without air
- substances which react explosively when being exposed to **elevated temperatures** without air,
- substances subject to **auto-ignition**,
- substances which are **inflammable without air**
- **explosive substances**.

- ➔ The pumps are **not approved** for operation below ground. **Do not operate** the pump **below ground**.



- ➔ The pumps are **not suitable** for pumping dust. **Do not pump dust**.



- **Do not pump** substances which may form **deposits** inside the pump. The pumps are not suitable for pumping substances which may form deposits inside the pump. Deposits and condensate in the pump may lead to increased temperatures even to the point of exceeding the maximum permitted temperatures.
- Check the inlet and outlet of the pump, if there is a danger of forming **deposits** inside the pump, e.g., in the pump chambers (the pump chamber is the part between diaphragm and head cover. See section “Replacing diaphragms and valves”, pg. 55). Inspect the pump chambers regularly and clean if necessary.
- **Consider interactions and chemical reactions of the pumped media**. Ensure that the materials of the

pump's wetted parts are compatible with the pumped substances, see section "Technical data", pg. 25.

When changing the substances pumped, we recommend purging the pump with air or inert gas prior to changing the pumped media. Purging the pump will pump out residues and it will reduce the possibility of reactions of the pumped substances with each other and with the pump's materials.

Safety during operation


! DANGER

- ➔ Adopt suitable measures to prevent the release of dangerous, toxic, explosive, corrosive, noxious or polluting fluids, vapors and gases. To prevent any emission of such substances from the pump outlet, install an appropriate collecting and disposal system and take protective action for pump and environment.
- ➔ You must take suitable precautions to prevent any formation of explosive mixtures in the pump chamber or at the outlet of the pump. In case, e.g., of a diaphragm failure, mechanically generated sparks, hot surfaces or static electricity may ignite these mixtures. Use inert gas for gas ballast or venting, if necessary.
- ➔ Drain appropriately or otherwise remove any potentially explosive mixtures at the outlet of the pump, or dilute them with inert gas to non-explosive concentrations.
- ➔ Never operate this pump if it has a damaged cord or plug.

! WARNING

- ☞ If the pump is not working properly, has been dropped or has fallen into water, contact your pump service provider.
- ☞ Prevent any part of the human body from coming into contact with vacuum.
- ☞ Never aspirate liquids or dust into the pump.
- ☞ Make sure that the exhaust pipeline cannot become

blocked.

- ☞ Check the overpressure safety relief device at the exhaust waste vapor condenser at appropriate intervals.
 - ☞ Comply with applicable regulations when disposing of chemicals. Take into consideration that chemicals may be contaminated. Take adequate precautions to protect people from the effects of dangerous substances (chemicals, thermal decomposition products of fluoroelastomers). Use appropriate protective clothing and safety goggles.
 - ☞ Use only **original manufacturer's spare parts and accessories**. Otherwise the safety and performance of the equipment, as well as the electromagnetic compatibility of the equipment might be reduced.
The CE mark be voided if not using original manufacturer's spare parts.
 - ☞ Interruption of the pump (e.g., due to power failure), failure of connected components or of parts of the supply, or change in parameters must not be allowed to lead to dangerous conditions. In case of a diaphragm failure or in case of a leak in the manifold, pumped substances might be released into the environment or into the pump housing or motor.
Comply with all notes regarding proper use of the pumps, as well as operation and maintenance guidance.
 - ☞ The residual **leak rate of the equipment** might render possible an exchange of gas, albeit extremely slight, between the environment and the vacuum system.
Adopt suitable measures to prevent contamination of the pumped substances or the environment.
-  • Ensure that no parts of your clothing, hair or fingers can be caught or drawn in at the inlet of the pump. Never insert fingers or drop any other object into the inlet or outlet.

- Pumping at high inlet pressure may lead to overpressure at the gas ballast valve. Pumped gases or condensate might be expelled if the valve is open. If an inert gas supply is connected to the gas ballast, ensure that its inlet pipeline is not contaminated.
- Pay attention to the safety symbol "hot surfaces" on the equipment. Hot parts may cause burns if touched. Adopt suitable measures to prevent any danger arising from hot surfaces or electric sparks. Ensure that hot surfaces of the pump do not cause burns. Provide a suitable contact guard if necessary.
- Ensure that the **coolant outlet pipe** at the waste vapor condenser is always free and that it cannot get blocked.



NOTICE

Do not start the pump if the pressure difference between inlet and outlet exceeds 16 psi (1.1 bar) at maximum. Prevent the backpressure of gases and the backflow of condensates at the outlet. Check the liquid level in the catchpots regularly and drain condensate in time to prevent overflowing. Install a level sensor (see "Accessories / Spare parts", pg. 46; a CVC 3000 or VNC 2 VARIO controller is required for operation) for monitoring, if necessary.

Provide appropriate protective measures to allow for the possibility of failure and **malfunction**. The protective measures must also allow for the requirements of the respective application.

In case of overload, the motor is shut down by a **self-hold thermal cutout** in the winding.

Note: Only manual reset is possible. Switch off the pump and disconnect from the power source. Identify and eliminate the cause of failure. Allow the pump to cool down sufficiently before restart.

Avoid overheating (e.g., due to hot process gases).

Maintenance and repair

NOTICE

In order to comply with laws (occupational, health and safety regulations, safety at work law and regulations for environmental protection) vacuum pumps, components and measuring instruments can only be returned when certain procedures (see section “Notes on return to the factory”, pg. 92) are followed.

Take advantage of our service seminars, which put special focus on the maintenance and repair of vacuum pumps. For details and for the online “Instructions for repair” manual see www.vacuubrand.com.

In case of normal wear, the lifetime of the diaphragms and valves is > 10000 operating hours. Bearings have a typical durability of 40000 h.

! DANGER

➔ **Ensure that the pump cannot be operated accidentally. Never operate the pump if covers or other parts of the pump are disassembled.**



➔ **Switch off the pump. Disconnect the electrical power cord and wait two minutes** before starting maintenance to allow the capacitors to discharge.

➔ **Note:** The pump may be contaminated with process chemicals, which have been pumped during operation. Ensure that the pump is completely decontaminated before maintenance commences.

! WARNING

☞ Take adequate precautions to protect people from the effects of dangerous substances if contamination has occurred. Use appropriate protective clothing, safety goggles and protective gloves.

☞ **Wear parts have to be replaced regularly.**

☞ **Never operate a defective or damaged pump.**

- ☞ Vent the pump before starting maintenance. Isolate the pump and other components from the vacuum system. Allow sufficient cooling of the pump. Drain condensate, if applicable.

NOTICE

Ensure that **maintenance** is done only by suitably trained and supervised technicians. Ensure that the maintenance technician is familiar with the safety procedures, which relate to the products processed by the pumping system. Only dismantle the pump as far as necessary.

⊕ *Important information: Equipment marking (ATEX)***VACUUBRAND equipment bearing mark (see rating plate)**

⊕ II 3G IIC T3 X
Internal Atm. only
Tech. File Ref.: VAC-EX01

and

VACUUBRAND equipment bearing mark (see rating plate)

⊕ X see manual

For equipment labelled with „⊕ X see manual“ the following classification according to Directive 94/9/EC (ATEX) is valid: ⊕ II 3G IIC T3 X, Internal Atm. only, Tech. File Ref.: VAC-EX01.

The classification II 3G IIC T3 X according to ATEX is only valid for the inner part (wetted part, pumped gas or vapor) of the equipment. The equipment is not suitable for use in external, potentially explosive atmospheres (environment).

The overall category of the equipment depends on the connected components. If the connected components do not comply with the classification of the VACUUBRAND equipment, the specified category of the VACUUBRAND equipment is no longer valid.

Vacuum pumps and vacuum gauges in category 3 are intended for connection to equipment in which during normal operation explosive atmospheres caused by gases, vapors or mists normally don't occur; or, if they do occur, are likely to do so only infrequently and for a short period only. Equipment in this category ensures the requisite level of protection during normal operation.

The use of gas ballast or the operation of venting valves is only permitted if thereby explosive atmospheres normally don't occur in the interior of the equipment or, if they do occur, are likely to do so only infrequently and for a short period.

The pumps are marked with "X" (according to EN 13463-1), i.e., restrictions of the operation conditions:

- The equipment is designated for a low degree of mechanical stress and has to be installed in a way so that it cannot be damaged from outside.
Pumping units have to be installed so that they are protected against shocks from the outside and against glass splinters in the event of breakage (implosion).
- The equipment is designated for an ambient and gas inlet temperature during operation of +10 to +40°C. Never exceed these ambient and gas inlet temperatures. If pumping / measuring gases which are not potentially explosive, extended gas inlet temperatures are permissible. See instructions for use, section "Gas inlet temperatures" or "Technical data".

After any intervention at the equipment (e.g., repair / maintenance) the ultimate vacuum of the pump has to be checked. Only if the pump achieves its specified ultimate vacuum is the pump's leak rate low enough to ensure that no explosive atmospheres will occur in the interior of the equipment.

After any intervention at the vacuum sensor, the leak rate of the equipment has to be checked.



Attention: This manual is not available in all languages of the EU. The user must not operate the device if he does not understand this manual. In such a case, a technically correct translation of the complete manual has to be available. The manual must be completely read and understood before operation of the device and all required measures must be applied.

Technical data

General technical data valid for all pumps		
Maximum permissible inlet pressure (absolute)	psi (bar)	16 (1.1)
Maximum permissible outlet pressure (absolute)	psi (bar)	16 (1.1)
Maximum pressure difference between inlet and outlet	psi (bar)	16 (1.1)
Maximum permissible pressure (absolute) at gas ballast valve	psi (bar)	17.5 (1.2)
Permissible ambient temperature storage / operation	°F (°C)	14 to 140 / 50 to 104 (-10 to +60 / +10 to +40)
Permissible relative atmospheric moisture during operation (no condensation)	%	30 to 85
Rated motor power (pump motor)	hp (kW)	0.71 (0.53)
No-load speed	rpm	30 - 2400
Maximum permissible range of supply voltage ($\pm 10\%$) Attention: Observe specifications of rating plate!		100-120 V~ 50/60 Hz, 200-230 V~ 50/60 Hz
Maximum rated current at: 100-120 V~ 50/60 Hz 200-230 V~ 50/60 Hz	A A	8.0 3.5
Device fuse		2 slow blow fuses 8A
Motor protection		thermal cutout, manual reset
Degree of protection IEC 529		IP 40

Type		ME 16C NT VARIO o.C.	MD 12C NT VARIO o.C.	MV 10C NT VARIO o.C.
Maximum pumping speed (ISO 21360)	cfm (m ³ /h)	11.4 (19.3)	7.6 (12.9)	6.8 (11.6)
Ultimate vacuum (absolute) without gas ballast*	Torr (mbar)	53 (70)	1.1 (1.5)	0.45 (0.6)
Ultimate vacuum (absolute) with gas ballast*	Torr (mbar)	75 (100)	2.2 (3)	0.9 (1.2)
Inlet		small flange KF DN 25 / 2x connection for PTFE tube I.D. 3/8", O.D. 5/16" (10 / 8 mm)		
Outlet		hose nozzle for tubing I.D. 5/8" (hose nozzle DN 15 mm) / thread G 1/2"		
A-weighted emission sound pressure level** (uncertainty K _{pA} : 3 dB(A))	dB(A)	56	50	
Dimensions L x W x H approx.	in (mm)	21.0 x 10.2 x 14.1 (533 x 260 x 359)		
Weight approx.	lbs. (kg)	60.6 (27.5)		

Type		PC 3016 NT VARIO o.C.	PC 3012 NT VARIO o.C.	PC 3010 NT VARIO o.C.
Maximum pumping speed (ISO 21360)***	cfm (m ³ /h)	11.4 (19.3)	7.6 (12.9)	6.8 (11.6)
Ultimate vacuum (absolute) without gas ballast*	Torr (mbar)	53 (70)	1.1 (1.5)	0.45 (0.6)
Ultimate vacuum (absolute) with gas ballast*	Torr (mbar)	75 (100)	2.2 (3)	0.9 (1.2)
Inlet		small flange KF DN 25 / hose nozzle for tubing I.D. 5/8" (hose nozzle DN 15 mm) / 2x connection for PTFE tube I.D. 3/8", O.D. 5/16" (10 / 8 mm)		
Outlet		hose nozzle for tubing I.D. 3/8" (hose nozzle DN 10 mm)		
A-weighted emission sound pressure level** (uncertainty K _{pA} : 3 dB(A))	dB(A)	56	50	
Dimensions L x W x H approx.	in (mm)	24.3 x 15.2 x 15.6 (616 x 387 x 395)		

* Ultimate vacuum at setting "Pump down" at speed "HI" at external CVC 3000 controller.

** Measurement according to EN ISO 2151:2004 and EN ISO 3744:1995 at 1500rpm and ultimate vacuum with exhaust tube at outlet.

*** Pumping speed of diaphragm pump

Type		PC 3016 NT VARIO o.C.	PC 3012 NT VARIO o.C.	PC 3010 NT VARIO o.C.
Weight approx.	lbs. (kg)	64.2 (29.1)		
Coolant connection (waste vapor condenser)		hose nozzle for tubing I.D. 1/4" - 5/16" (hose nozzle DN 6-8 mm)		
Maximum permissible pressure of coolant at waste vapor condenser	psi (bar)	87 (absolute) (6 (absolute))		
Permissible range of coolant temperature (waste vapor condenser)	°F (°C)	5 to 68 (-15 to +20)		
Volume of catchpot	quarts (ml)	0.52 (500)		

Type		PC 3012 NT VARIO o.C. + EK Peltronic	
Maximum pumping speed*** (ISO 21360)	cfm (m ³ /h)	7.6 (12.9)	
Ultimate vacuum (absolute) without gas ballast*	Torr (mbar)	1.1 (1.5)	
Ultimate vacuum (absolute) with gas ballast*	Torr (mbar)	2.2 (3)	
Maximum permissible range of supply voltage (±10%) Attention: Observe specifications of rating plate!		200-230 V~ 50/60 Hz	
Maximum rated motor current at: 200-230 V~ 50/60 Hz	A	3.5	
Inlet		small flange KF DN 25 / hose nozzle for tubing I.D. 5/8" (hose nozzle DN 15 mm) / 2x connection for PTFE tube I.D. 3/8", O.D. 5/16" (10 / 8 mm)	
Outlet		hose nozzle for tubing I.D. 5/8" (hose nozzle DN 15 mm)	
Volume of catchpot	quarts (ml)	0.52 (500)	
A-weighted emission sound pressure level** (uncertainty K _{pA} : 3 dB(A))	dB(A)	50	

* Ultimate vacuum at setting "Pump down" at speed "HI" at external CVC 3000 controller.

** Measurement according to EN ISO 2151:2004 and EN ISO 3744:1995 at 1500rpm and ultimate vacuum with exhaust tube at outlet.

*** Pumping speed of diaphragm pump

Type	PC 3012 NT VARIO o.C. + EK Peltronic	
Dimensions L x W x H approx.	in (mm)	24.3 x 17.1 x 15.6 (616 x 435 x 395)
Weight approx.	lbs. (kg)	72.5 (32.9)

NOTICE

See manual of Peltronic emission condenser for technical data!

Gas inlet temperatures

Operating condition	Inlet pressure	Permitted range of gas temperatures at inlet
Continuous operation	> 75 Torr (100 mbar) (high gas load)	➡ 50 °F to 104 °F (+10°C to +40°C)
Continuous operation	< 75 Torr (100 mbar) (low gas load)	➡ 32 °F to 140 °F* (0°C to +60°C*)
Short-time (< 5 minutes)	< 75 Torr (100 mbar) (low gas load)	➡ 14 °F to 176 °F* (-10°C to +80°C*)

* if pumping potentially explosive atmospheres: 50 °F to 104 °F (+10°C to +40°C)

We reserve the right for technical modification without prior notice!

Wetted parts

Components	Wetted materials
Head cover	ETFE carbon fiber reinforced
Diaphragm clamping disc	ETFE carbon fiber reinforced
Diaphragm	PTFE
Valves (MD 12C NT VARIO, MV 10C NT VARIO, PC 3012 NT VARIO, PC 3010 NT VARIO)	FFKM
Valves (ME 16C NT VARIO, PC 3016 NT VARIO)	PTFE
O-rings	FPM
Valve head	ECTFE carbon fiber reinforced
Tubing	PTFE
Screw-in fittings	ETFE / ECTFE
Gas ballast tube	PTFE carbon reinforced
Inlet	PP glass fiber reinforced
Distributor / fitting towards outlet	PTFE carbon reinforced
Outlet / hose nozzle at outlet	PP
Exhaust waste vapor condenser / catchpot	Borosilicate glass
Overpressure safety relief device	Silicone rubber / PTFE foil
Outlet of exhaust waste vapor condenser	PET
Separator (AK)	PP glass fiber reinforced / PE
O-ring / centring ring at separator (AK)	FPM
Adapter small flange KF DN 25 / hose nozzle DN 15 mm	PP
Adapter small flange KF DN 25 / 2x connec- tion for PTFE tube	PP glass fiber reinforced
Seal ring (centring ring of adapter small flange KF DN 25 / 2x connection for PTFE tube; cen- tring ring at pump inlet)	FEP
Inlet / outlet emission condenser Peltronic	PP
Cooling surface emission condenser Peltronic	PP / PFA

We reserve the right for technical modification without prior notice!

Abbreviations

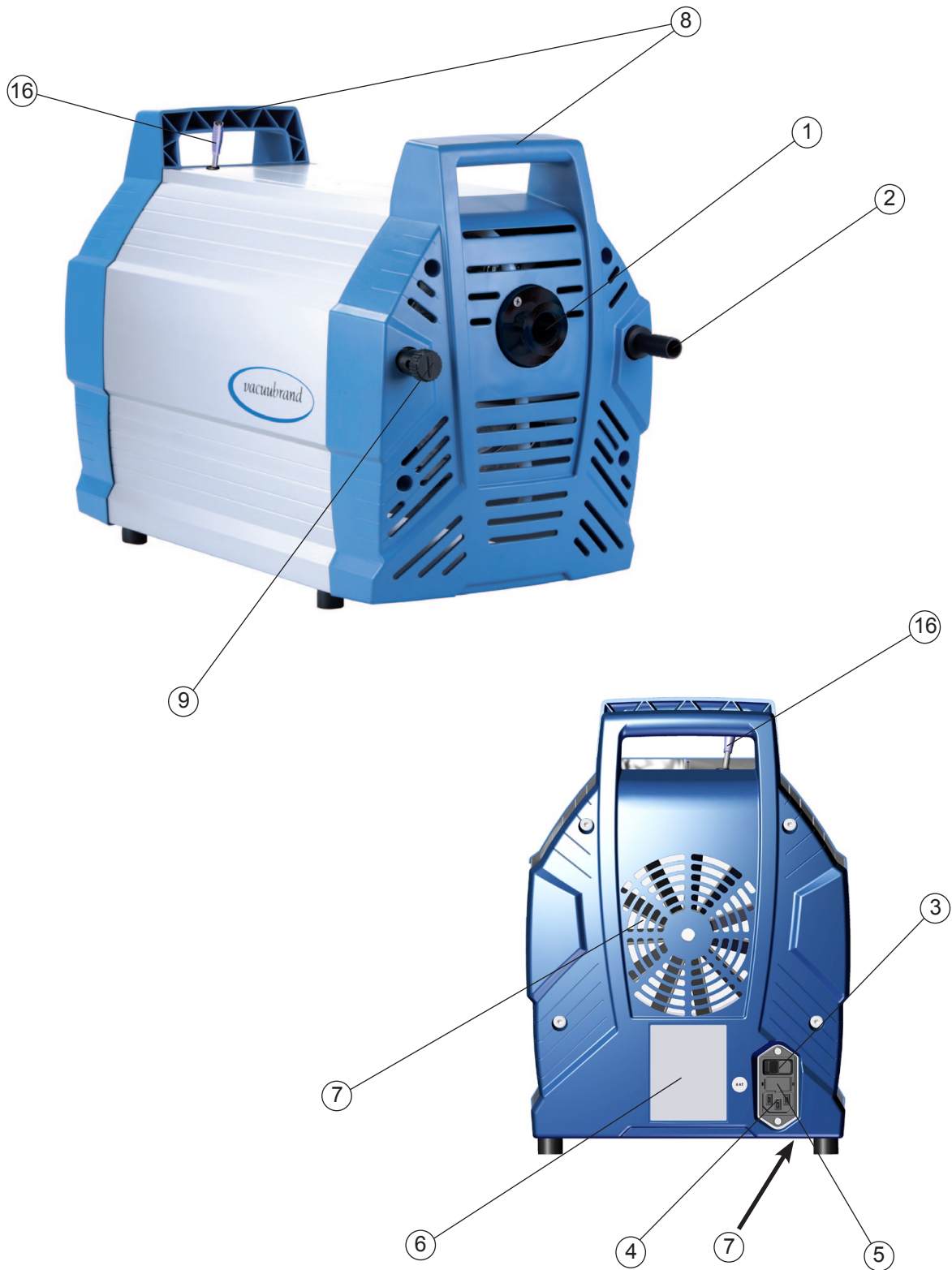
ETFE:	Ethylene/Tetrafluoroethylene
ECTFE:	Ethylene/Chlorotrifluoroethylene
FEP:	Fluorinated Ethylene Propylene
FFKM:	Perfluoro elastomer
FPM:	Fluoroelastomer
PE:	Polyethylene
PET:	Polyethylene terephthalate
PFA:	Perfluoroalkoxylalkane
PP:	Polypropylene
PTFE:	Polytetrafluoroethylene

Pump parts

Position	Component
1	Inlet
2	Outlet
3	ON/OFF switch
4	Mains connection
5	Fuse holder
6	Pump rating plate
7	Fan
8	Handle
9	Gas ballast valve
10	Exhaust waste vapor condenser (EK)

Position	Component
11	Separator
12	Catchpot
13	Overpressure safety relief device
14	Coolant inlet
15	Coolant outlet
16	Connecting cable CVC 3000
17	Emission condenser Peltronic

ME 16C NT VARIO o.C., MD 12C NT VARIO o.C., MV 10C NT VARIO



PC 3016 NT VARIO o.C., PC 3012 NT VARIO o.C., PC 3010 NT VARIO o.C.



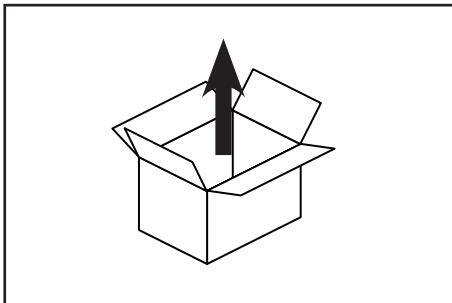
PC 3012 NT VARIO o.C. + EK Peltronic



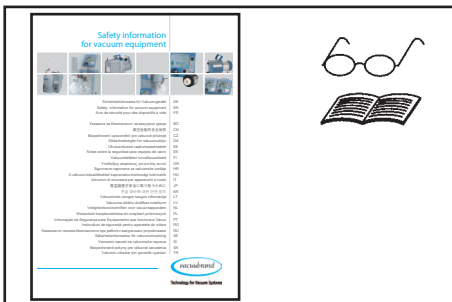
Use and operation

To operate the pump / the pumping unit, a CVC 3000 (software version 2.17 or higher) or VNC 2 VARIO (software version 1.25 or higher) VACUUBRAND controller is required!

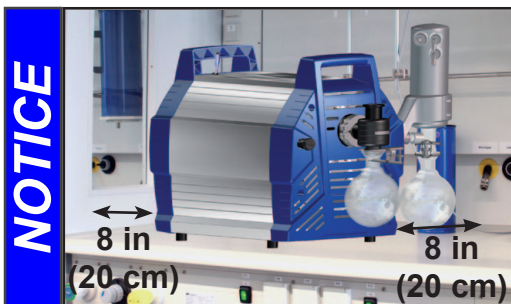
Installation



Remove the product from its packing-box.



Read the document "Safety information for vacuum equipment" and observe the instructions contained therein!



Put the pump in place.

Keep a distance of minimum 8 in (20 cm) between fans and adjacent equipment or casework.

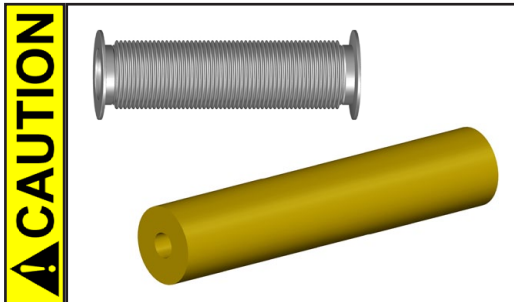


☞ Make sure ventilation is adequate, especially if the pump is installed in an enclosure, or if the ambient temperature is elevated. Provide external ventilation, if necessary.

Vacuum connection (inlet)

Inlet: Small flange connection KF DN 25 with clamping ring and centring ring.

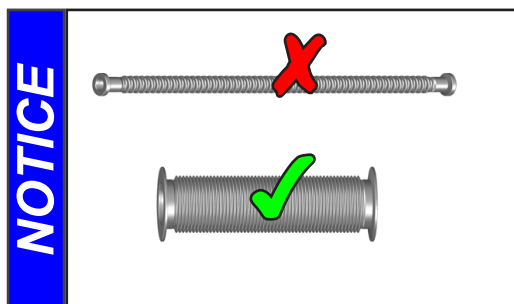
Connect the vacuum line (e.g., metal hose (stainless steel) KF DN 25) at the inlet of the pump.



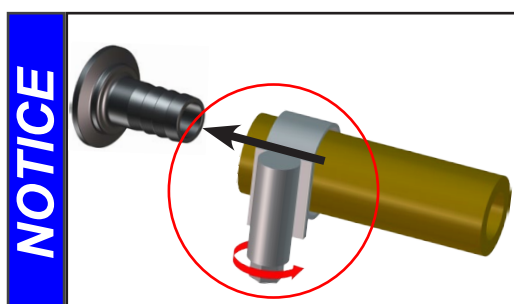
- Reduce the transmission of vibration. Prevent mechanical load due to rigid pipelines. Insert elastic hoses or flexible elements as couplings between the pump and rigid pipes. **Note:** Flexible elements will compress or flatten when evacuated if not designed for use under vacuum.
- Hose connections at the pump inlet must always be gas tight.



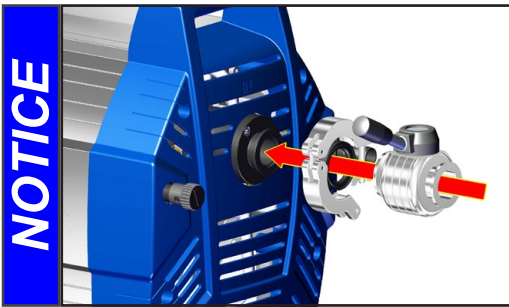
Use the enclosed adapter to connect up to two PTFE tubes I.D. 3/8", O.D. 5/16" (10 / 8 mm) at the inlet, or use a suitable adapter to connect a vacuum hose (caoutchouc) 15 mm ID (see "Accessories / Spare parts", pg. 46), if necessary.



Use connecting hoses with large diameter and keep them as short as possible to avoid flow losses. Locate the pump as closely as possible to the application.



Secure hose connections at the pump appropriately, e.g., with hose clamps, to protect against accidental detachment.



NOTICE Use a suitable valve (see “Accessories / Spare parts”, pg. 46) to isolate the pump from the vacuum application. This is to allow the pump to warm up before pumping condensable vapors and to clean the pump after use before it is switched off.

WARNING

☞ Particles and dust must not be aspirated. If necessary, you must install appropriate filters. You must ensure their suitability concerning gas flow, chemical resistance and resistance to clogging prior to use.

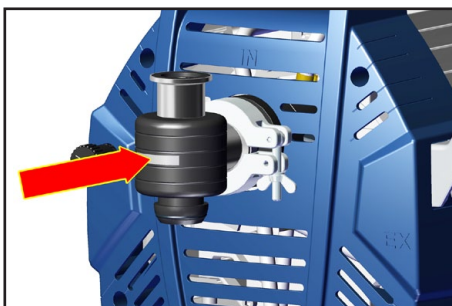
CAUTION

- A power failure may cause accidental ventilation of the pump, especially if the gas ballast valve is open. If this constitutes a potential source of danger, take appropriate safety measures.

NOTICE

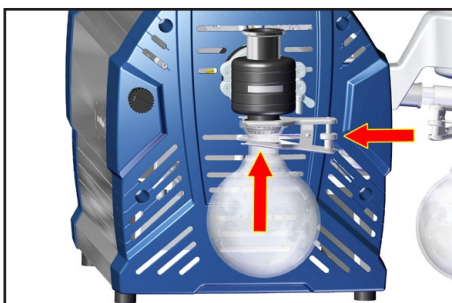
When assembling, ensure **vacuum-tightness**. After assembly, check the whole system for leaks.

Separator (AK) at the inlet



The separator at the inlet protects against droplets and particles from entering the pump.

- ☞ Enhances lifetimes of diaphragms and valves.
- ☞ Improves vacuum performance in applications with condensable vapors.
- ➡ Assemble the separator (AK) with clamping ring and centring ring (FEP coated) KF DN 25.

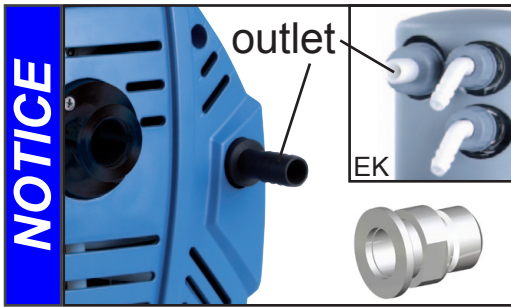


Catchpot:

The catchpot is coated with a protective layer to protect against shattering in case of breakage or implosion.

- ➡ Assemble the catchpot at the inlet using a joint clip.

Connecting the outlet

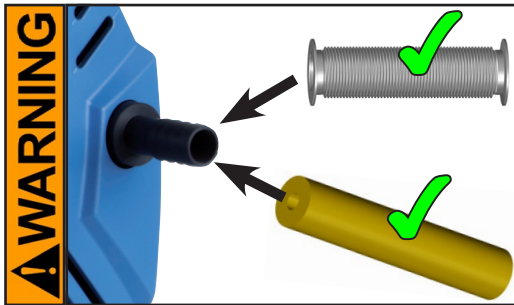


Outlet via hose nozzle DN 15 mm or via hose nozzle DN 10 mm (exhaust waste vapor condenser EK).

In case, install a small flange connection instead (thread G1/2", see "Accessories / Spare parts", pg. 46).

⚠ DANGER

➔ If dangerous or polluting fluids could be released at the outlet, install an appropriate system to catch and dispose of those fluids.

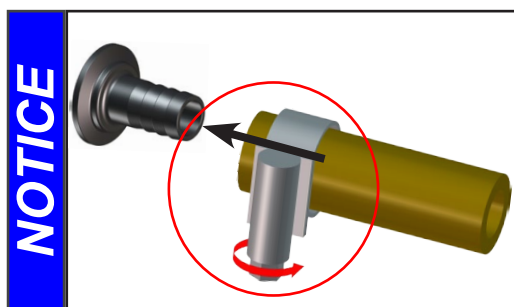


☞ Connect a gas-tight exhaust line at the pump outlet if necessary. Always vent exhaust gases appropriately (e.g., into a fume hood).

☞ Never block the gas outlet. The exhaust line must always be free of obstructions (no back pressure) to ensure an unimpeded discharge of gas. The cross-section of the outlet tubing must be at least the size of the pump's exhaust connection.

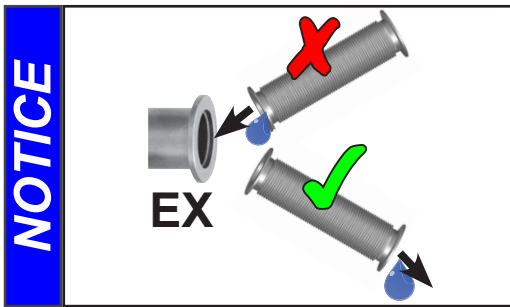
⚠ CAUTION

• Reduce the transmission of vibration. Prevent mechanical load due to rigid pipelines. Insert elastic hoses or flexible elements as couplings between the pump and rigid pipes.



Secure hose connections at the pump appropriately, e.g., with hose clamps, to protect against accidental detachment.

To reduce pump noise emanating from the pump exhaust port, connect an exhaust hose or use a silencer (see "Accessories / Spare parts", pg. 46).

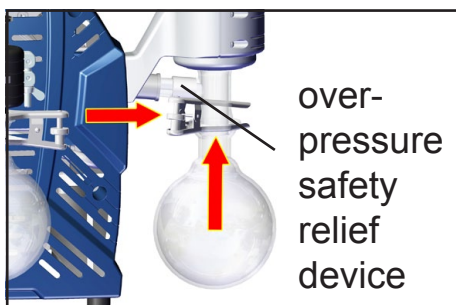


Always install outlet tubing descending from the pump to avoid backflow of condensate towards the pump.

Exhaust waste vapor condenser (EK) at the outlet

The **exhaust waste vapor condenser** enables an efficient condensation of the pumped vapors at the outlet.

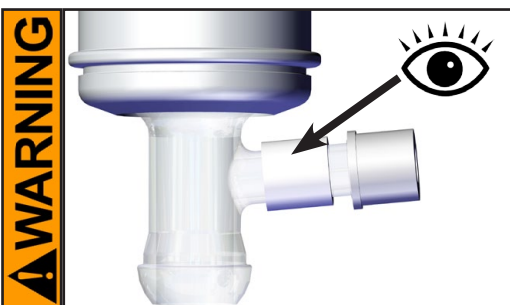
- ☞ No backflow of condensates.
- ☞ Controlled recovery of condensates.
- ☞ Close to 100% solvent recovery.
- ☞ The isolation cover protects against glass splinters in case of breakage, acts as thermal isolation to avoid condensation of humidity and is intended to absorb shocks.



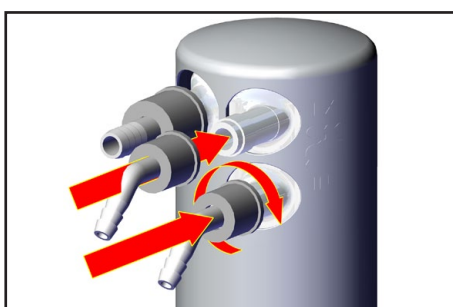
Catchpot:

The catchpot is coated with a protective layer to protect against shattering in case of breakage or implosion.

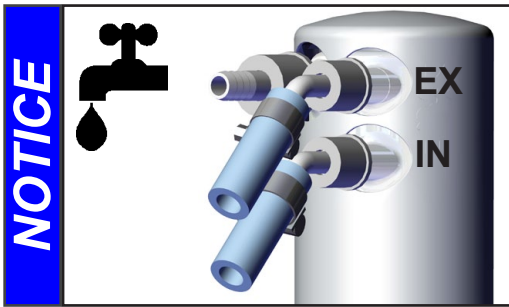
- ➔ Assemble the catchpot at the exhaust waste vapor condenser using a joint clip.



- ☞ Check the overpressure safety relief device at the exhaust waste vapor condenser regularly; replace if necessary. Check especially for deterioration, coalescence and cracks.



- ➔ Assemble the hose nozzles for coolant inlet and coolant outlet tubing at the exhaust waste vapor condenser (hose nozzles for tubing I.D. 1/4"-5/16" (6-8 mm)).
- ➔ Attach the tubing of the coolant circuit to the respective hose nozzles at the waste vapor condenser.

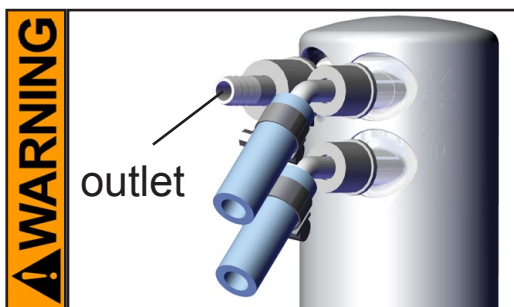


Check all hose connections prior to starting operation of the cooling system.

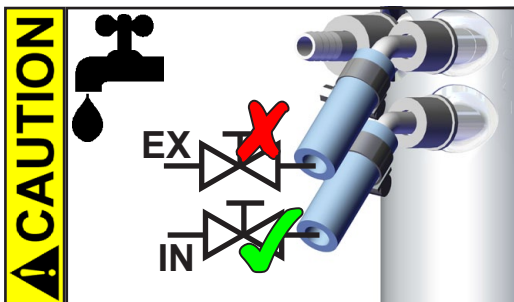
Secure coolant hoses at the hose nozzles (e.g., with hose clamps) to prevent their accidentally slipping off.



➔ Prevent the discharge of dangerous gases and vapors to the surrounding atmosphere. If appropriate, connect the exhaust line to a suitable treatment system.



☞ Never block the gas outlet (hose nozzle for tubing I.D. 3/8" (10 mm)). The exhaust hose has always to be unobstructed and without back pressure to enable an unhindered discharge of gases and protect the pump valves from damage.



- Only install the optional coolant valve in the supply line of the exhaust waste vapor condenser.
- **Note:** Install the hoses of the cooling system in a way to avoid the flow / dripping of condensed water onto the pumping unit (especially cables and electronic parts, see also IP degree of protection, "Technical data", pg. 25).
- Ensure that the **coolant outlet tubing** is always unobstructed and that it cannot get blocked.
- Maximum permissible coolant pressure at the exhaust waste vapor condenser: 87 psi (6 bar) absolute. Outlet flow must always be unhindered.
- Comply with the maximum permissible coolant pressures of additional components in the coolant circuit (e.g., coolant valve).
- Avoid overpressure in the coolant circuit (e.g., caused by blocked or squeezed coolant hoses).

NOTICE

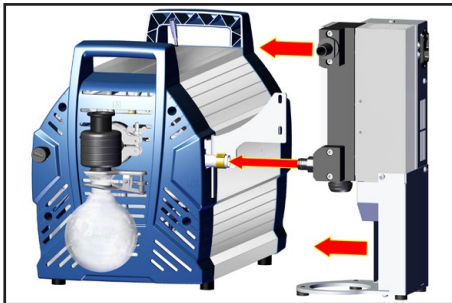
Permissible range of coolant temperature at the exhaust waste vapor condenser: 5°F to 68°F (-15°C to +20°C)

Check hose connections prior to starting operation of the cooling system.

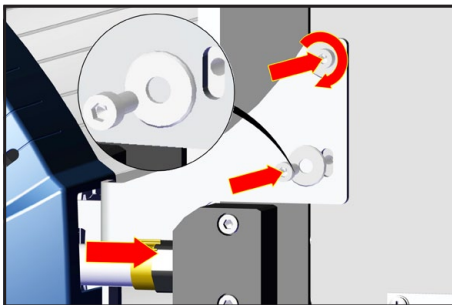
Check coolant hoses regularly during operation.

Emission condenser Peltronic at the outlet**NOTICE**

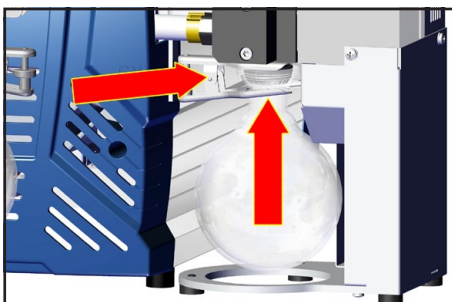
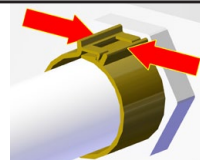
Read the manual of the Peltronic emission condenser and observe the instructions contained in that manual!



- ➔ **Assemble the emission condenser Peltronic.**
- ➔ Slip the PTFE tube onto the hose connection of the emission condenser Peltronic.



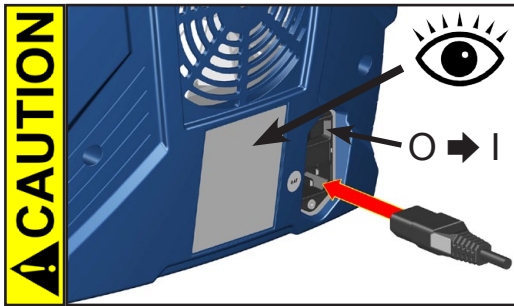
- ➔ Affix the emission condenser Peltronic with two screws (install the washers) to the holder.
- ➔ Close hose clip at the hose connection with flat pliers.

**Catchpot:**

The catchpot is coated with a protective layer to protect against shattering in case of breakage or implosion.

- ➔ Assemble the catchpot using a joint clip.

Electrical connection



Plug in the power cord.

- Check the power source and the pump's rating plate to be sure that the power source and the equipment match in voltage, phase, and frequency.

Switch the pump on.

To operate the pump / the pumping unit, a CVC 3000 or VNC 2 VARIO VACUUBRAND controller is required! Connect the controller to the VACUU•BUS cable of the NT VARIO pump. Switch the controller on.

Emission condenser Peltronic:

Plug in the power cord.



- Check the power source and the Peltronic's rating plate to be sure that the power source and the equipment match in voltage, phase, and frequency.

Connect the emission condenser Peltronic via the VACUU•BUS cable to the CVC 3000 controller. Switch the emission condenser Peltronic on.

During operation

⚠ DANGER

➔ Vent and dispose of **potentially dangerous gases or vapors** at the outlet of the pump appropriately.

⚠ WARNING

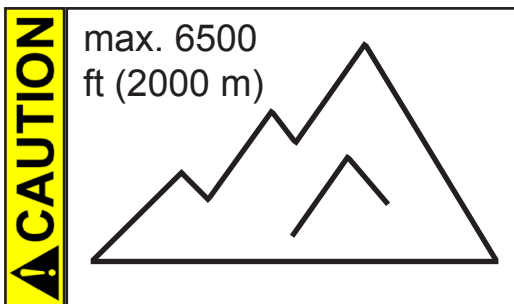
☞ Due to the high compression ratio, the pump might generate overpressure at the outlet. Check pressure compatibility with system components (e.g., exhaust tubing or exhaust valve) at the outlet. Ensure that the pump outlet is neither blocked nor restricted.



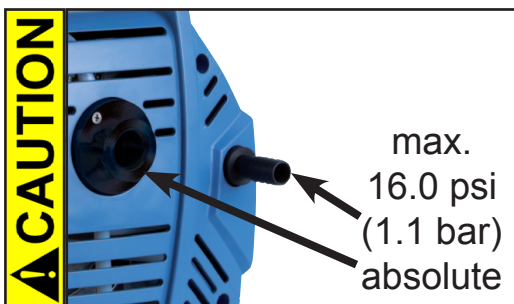
☞ **Maximum ambient temperature:** 104 °F (40 °C)

Check the maximum temperatures, if installing the pump in a cabinet or a housing.

Make sure ventilation is adequate, especially if the ambient temperature is elevated.



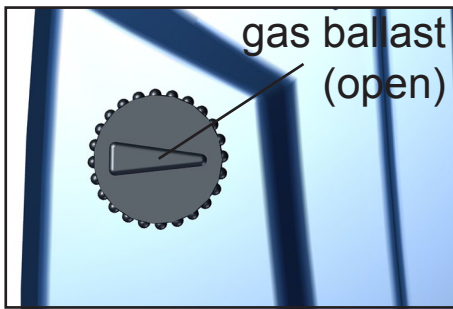
- If the pump is installed at an altitude of more than 6500 ft (2000 m) above mean sea level, check compatibility with applicable safety requirements, and adopt suitable measures. There is a risk of the motor overheating due to insufficient cooling.



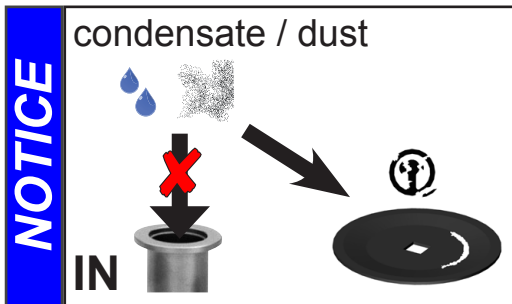
- Check compatibility with the **maximally permitted pressure** at outlet and the **maximum pressure difference** between inlet and outlet ports.

NOTICE

Do not start the pump if the **pressure difference between inlet and outlet ports exceeds max. 16.0 psi (1.1 bar)**. Attempts to start the pump at higher pressure difference may cause stalling and damage of the motor.

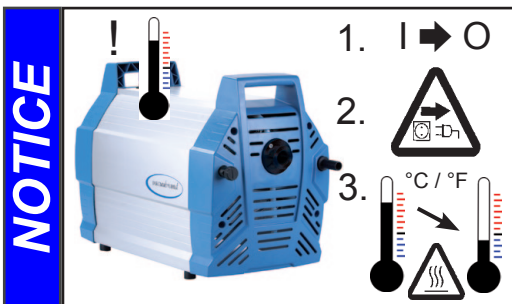


If pumping condensable vapors (water vapor, solvents, etc.), let the pump run with **gas ballast** to help purge any condensation in the pump.



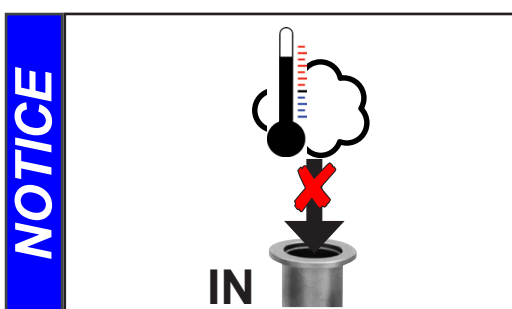
Prevent internal condensation, transfer of liquids or dust. The diaphragms and valves will be damaged, if liquids are pumped in significant amounts.

Check the pump regularly for external soiling and deposits. Clean the pump if necessary to avoid an increase of the pump's operating temperature.

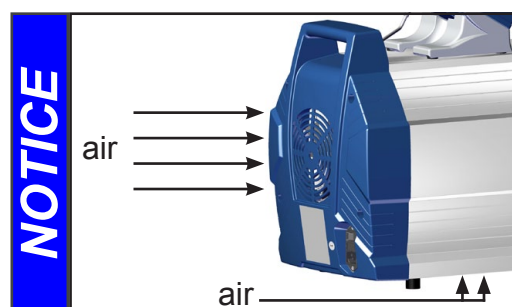


In case of overload, the motor is shut down by a **self-hold thermal cutout** in the winding.

Note: Only manual reset is possible. Switch off the pump and disconnect from the power source. Identify and eliminate the cause of failure. Allow the pump to cool down sufficiently before restart.



Avoid overheating (e.g., due to hot process gases). Maximum permissible temperature range: see "Gas inlet temperatures", pg. 28.



Make sure the fans' air supply is adequate. Do not place the pump on soft surfaces (e.g., rubber foam) during operation. This may reduce the air circulation in the pump housing and affect the fans' cooling effect. Check fans regularly for dust/dirt. Clean fan guard grills if necessary to avoid a reduction of ventilation.



A warm up period (approximately 15 min.) is required to ensure that the rated ultimate vacuum and pumping speed are attained.

Important notes regarding the use of gas ballast

Gas ballast is a continuous purge to keep the pump's interior as clean as possible and to reduce the possibility of condensation inside the pump.

! DANGER

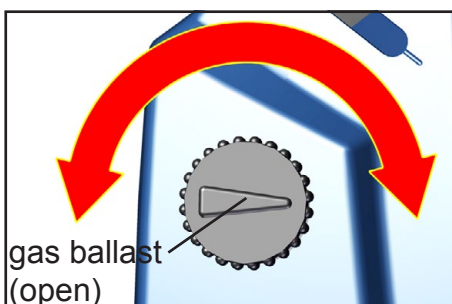
➔ Air and pumped media might react inside the pump or at the outlet of the pump and form hazardous or explosive mixtures, when you use air rather than inert gas for the gas ballast. This constitutes a risk of significant damage to equipment and/or facilities, a risk of personal injury or even loss of life.

! WARNING

☞ Make sure that air/gas intake through the gas ballast valve can never lead to hazardous, explosive or otherwise dangerous mixtures. If in doubt, use inert gas.

NOTICE

To reduce condensation in the pump, do not pump vapor before the pump has reached its operating temperature. Open the gas ballast valve when pumping condensable vapors. Turn gas ballast cap to open valve.



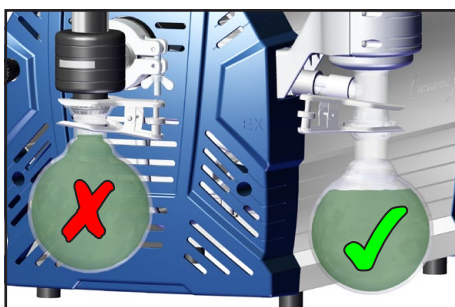
For **condensable vapors** (water vapor, solvents, etc.):

- The gas ballast valve is open if the arrow on the gas ballast cap is pointing towards the inlet of the pump.
- With gas ballast valve open, the ultimate vacuum will be reduced.

- Use inert gas for gas ballast to avoid the formation of explosive mixtures. A special adapter fitting is needed to connect an inert gas supply line (see “Accessories / Spare parts”, pg. 46). This adapter replaces the standard gas ballast cap and allows for an inert gas line to be connected via a KF DN 16 small flange at a maximum supply pressure of 17.5 psi (1.2 bar) absolute.
- Close the gas ballast valve by turning the cap 180°.

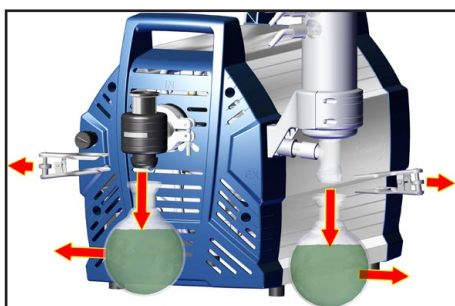
In case of low boiling solvents (when the formation of condensate is unlikely), the use of gas ballast might be unnecessary. Operating the pump without gas ballast increases the solvent recovery rate at the exhaust waste vapor condenser.

In case of condensation



In case of **condensation**: Check the liquid level in the catchpots during operation. Check the liquid level in both catchpots regularly. Do not allow the catchpots to overflow. Drain catchpots in time to avoid overflow. Install a level sensor (see “Accessories / Spare parts”, pg. 46; a CVC 3000 or VNC 2 VARIO controller is required for operation) for monitoring, if necessary.

The maximum liquid level is at approximately 80% of the total filling level to avoid problems when removing the catchpots.



Removing the catchpots:

Catchpot at outlet:

Remove joint clip. Remove catchpot and drain condensate.

Catchpot at inlet:

Admit air or inert gas (via the pump inlet) to restore atmospheric pressure in the catchpot before attempting removal. Remove joint clip. Remove catchpot and drain condensate.



Drain catchpots.

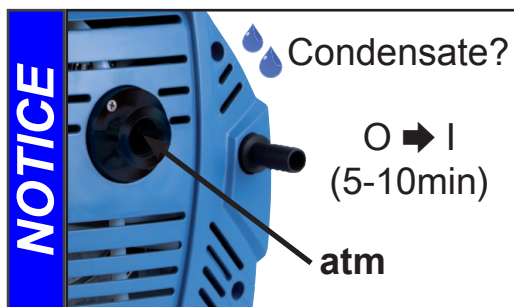
☞ **Important:** Comply with regulations when disposing of solvents/condensates. Recycle if possible; purify if contaminated.

NOTICE

Reattach drained catchpots.

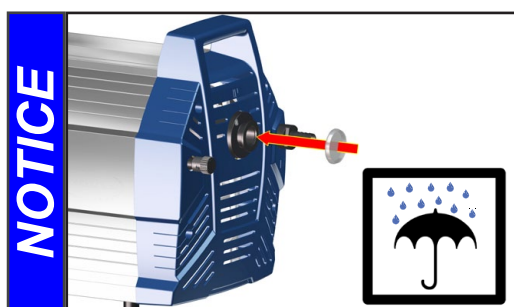
Shutdown & storage

The pump can be switched off under vacuum.



Short-term:

- Has the pump been exposed to condensate? Allow the pump to continue to run at atmospheric pressure for a few minutes.
- Has the pump been exposed to media which may damage the pump materials or form **deposits**? Check and clean pump heads if necessary.



Long-term:

- Take measures as described above regarding short-term shutdown.
- Separate the pump from the application.
- Close inlet and outlet ports (e.g., with transport caps).
- Close the gas ballast valve.
- Drain catchpots.
- Store the pump under dry conditions.

Accessories / Spare parts



**Exhaust waste vapor condenser
with catchpot 0.52 qt (500 ml).....699948**
(Upgrade kit including holder and front cover)



Separator (inlet)699979
small flange KF DN 25
(adapter to hose nozzle DN 15 mm at inlet included)



Controller CVC 3000683160
100-230 V 50-60 Hz (table top unit)

Controller CVC 3000636595
100-230 V 50-60 Hz (built-in version)

Controller VNC 2 VARIO E683080

External pressure transducer VSK 3000,636657
capacitive, ceramic diaphragm sensor 1080-0.1 mbar

Coolant valve VKW-B, VACUU•BUS674220

Venting valve VBM-B / KF 16, VACUU•BUS.....674217

Adapter small flange KF DN 16 to hose nozzle 1/2"636004

VACUU•BUS Y-type adapter636656

VACUU•BUS extension cable, 6.6ft (2m).....612552

VACUU•BUS extension cable, 32.8ft (10m).....2618493

VACUU•BUS wall jack636153

Serial cable RS 232C, 9-pin, Sub-D.....637837

Installation set CVC 3000 (clips and screws).....636593

VACUU•BUS Digital-I/O-Module	636228
(e.g., fault indicator / remote module)	
VACUU•BUS Analog-I/O-Module	636229
(for analog input and output of vacuum and motor speed)	
Level sensor (control of liquid level in catchpots)	699908
Vacuum hose (caoutchouc) 15 mm ID (sold by meter)	686003
Adapter for gas ballast connection	636193
via small flange KF DN 16	

At the inlet:

Metal hose (stainless steel) KF DN 25 (1000mm)	673337
Adapter small flange KF DN 25 / hose nozzle DN 15 mm (PP).....	662808
PTFE hose KF DN 25 (1000mm).....	686033
Vacuum valve VS 25C KF DN 25 (butterfly-type valve).....	665008

At the outlet:

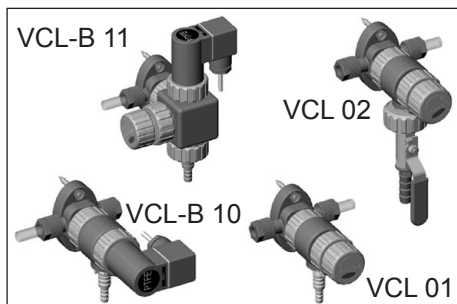
Small flange KF DN 16 / G 1/2"	672101
Silencer G 1/2"	642473

Attention: Dust-laden gases, deposits and condensed solvent vapor can restrict air flow out the silencer. The resultant back pressure can lead to damage of pump bearings, diaphragms, and valves. Under those conditions, a silencer must not be used.

Conversion of VACUUBRAND valves with DIN plug to VACUUBRAND valves with VACUU•BUS plug:

VACUUBRAND-valve with DIN plug	Conversion kit valve cable with VACUU•BUS plug
Coolant valve VKW, 24 V= (676013)	612567
Venting valve VBM, 24 V= (666817)	612554

Vacuum distribution:



The VACUU•LAN® modules allow process-oriented, flexible and cost effective connections according to your requirements. One vacuum pump can support several workstations. Contact VACUUBRAND for details.

VACUU•LAN® manual flow control module VCL 01	677106
VACUU•LAN® shut off / manual flow control module VCL 02.....	677107
VACUU•LAN® automatic control module VCL-B 10	677208
VACUU•LAN® manual flow control/ automatic control module VCL-B 11	677209

On this page we offer only a small selection of VACUU•LAN® options. Please contact VACUUBRAND for further information. Listed modules are designed for surface-mounted installation. Different catalog numbers are used for modules designed for flush-mounting with concealed tubing.

For additional accessories such as vacuum valves, small-flange components, vacuum gauges or vacuum controllers refer to www.vacuubrand.com.

Spare parts:

Catchpot 0.52 qt (500 ml), coated	638497
Device fuse (slow blow fuse 8A 250V)	612374
Overpressures safety relief device at exhaust waste vapor condenser	638821
Set of seals (diaphragms and valves).....	8x 696813
for ME 16C NT VARIO / PC 3016 NT VARIO	
Set of seals (diaphragms, valves and O-rings)	696821
for MD 12C NT VARIO, MV 10C NT VARIO / PC 3012 NT VARIO / PC 3010 NT VARIO	

Troubleshooting

Fault	Possible cause	Remedy
<input type="checkbox"/> Pump does not start or stops immediately.	<ul style="list-style-type: none"> ➔ Electrical power cord not plugged in, electrical supply failure? ➔ Device fuse blown? ➔ Overpressure in outlet line? ➔ Motor overloaded? 	<ul style="list-style-type: none"> ✓ Plug in power cord. Check fuse. ✓ Identify cause of failure. Replace device fuse. ✓ Remove blockage in line, open valve. ✓ Allow motor to cool down, identify and eliminate cause of failure. Manual reset is necessary. Switch off pump or unplug.
<input type="checkbox"/> Pump does not achieve its ultimate vacuum or usual pumping speed.	<ul style="list-style-type: none"> ➔ Centring ring at small flange connection not correctly positioned, or leak in the pipeline or vacuum system? ➔ Long, narrow vacuum line? ➔ Pump has been exposed to condensate? ➔ Deposits have been formed inside the pump? ➔ Diaphragms or valves damaged? ➔ Outgassing substances or vapor generated in the process? ➔ Pump too hot? 	<ul style="list-style-type: none"> ✓ Check pump directly - connect vacuum gauge directly at pump inlet - then check connection, pipeline and vacuum system if necessary. ✓ Use lines with larger diameter, length as short as possible. ✓ Allow pump to run for some minutes with atmospheric pressure at the inlet to purge. ✓ Clean and inspect the pump heads. ✓ Replace diaphragms and/or valves. ✓ Check process parameters. ✓ Allow pump to cool down. Determine and eliminate the cause of overheating.
<input type="checkbox"/> Pump too noisy.	<ul style="list-style-type: none"> ➔ Atmospheric or high pressure at the pump inlet? 	<ul style="list-style-type: none"> ✓ Connect hose or silencer to pump outlet. Be careful not to cause outlet overpressure, especially with condensable vapors.

Fault	Possible cause	Remedy
<input type="checkbox"/> Pump too noisy.	<ul style="list-style-type: none"> ➔ Diaphragm crack or diaphragm clamping disc loose? ➔ Other than above mentioned causes? 	<ul style="list-style-type: none"> ✓ Perform maintenance. ✓ Contact local distributor.
<input type="checkbox"/> Pump seized.		<ul style="list-style-type: none"> ✓ Contact local distributor.

Troubleshooting for emission condenser Peltronic: see manual of emission condenser Peltronic!

- ➔ A service manual with exploded view drawings, spare parts list and directions for repair is available on request.
- 👉 The service manual is intended for trained service people only.

Replacing the device fuse

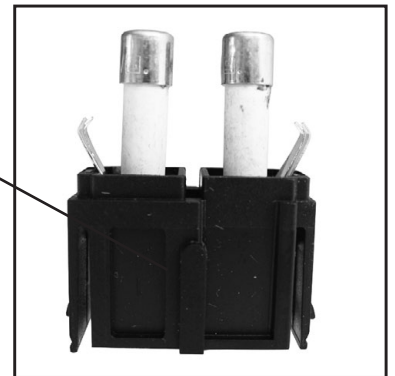
⚠ DANGER ➔ **Switch off the pump.**



➔ **Disconnect the electrical power cord** before removing the fuse holder.
Identify and eliminate the cause of failure before switching on the pump again.



fuse holder



- ➔ Keep the snap-fits squeezed and pull the fuse holder out.
- ➔ The fuse holder contains two fuses of the same type. Replace the defective fuse by a fuse of the same type (see “Technical data”, pg. 25)
- ➔ Insert the fuse holder into the housing until it snaps.

Please continue with part 2 of this manual.



Technology for Vacuum Systems

Instructions for use

Part II of II



ME 16C NT VARIO o.C.
MV 10C NT VARIO o.C.
MD 12C NT VARIO o.C.
PC 3010 NT VARIO o.C.
PC 3012 NT VARIO o.C.
PC 3012 NT VARIO o.C. + EK Peltronic
PC 3016 NT VARIO o.C.

Part II:
Maintenance

**Speed controlled chemistry diaphragm pumps
and chemistry pumping units without Controller (o.C.)**

Contents

Part I.....	1
Safety information!.....	10
Important information!	10
General information	12
Intended use.....	12
Setting up and installing the equipment	13
Ambient conditions	16
Operating conditions	16
Safety during operation	18
Maintenance and repair.....	21
⊕ Important information: Equipment marking (ATEX).....	23
Technical data.....	25
General technical data valid for all pumps	25
Gas inlet temperatures	28
Wetted parts	29
Abbreviations.....	30
Pump parts	30
Use and operation	33
Installation	33
Vacuum connection (inlet)	34
Separator (AK) at the inlet.....	35
Connecting the outlet	36
Exhaust waste vapor condenser (EK) at the outlet	37
Emission condenser Peltronic at the outlet	39
Electrical connection	40
During operation.....	41
Important notes regarding the use of gas ballast	43
In case of condensation	44
Shutdown & storage	45
Accessories / Spare parts.....	46
Troubleshooting	49
Replacing the device fuse	51
Part II.....	52
Replacing diaphragms and valves.....	55
Disassembling the pump housing	58

Checking diaphragms and valves	65
Replacing the diaphragms.....	66
Replacing the valves	70
Replacing the valve at the distributor	76
Assembling the pump housing	80
Replacing the overpressure safety relief device	88
Notes on return to the factory	92
Warranty	95
Health and safety clearance form	96
EC Declaration of Conformity of the Machinery	97

Replacing diaphragms and valves

☞ Please read section "Replacing diaphragms and valves" completely before starting maintenance.

The pictures may show other versions of pumps. This does not change the method of replacing diaphragms and valves.

! DANGER

➔ Never operate the pump if covers or other parts of the pump are disassembled.



➔ Before starting maintenance, **disconnect the electrical power cord. Wait two minutes** after isolating the equipment from AC power to allow the capacitors to discharge.

➔ Ensure that the pump cannot be operated accidentally.

➔ **Note:** The pump might be contaminated with the process chemicals that have been pumped during operation. Ensure that the pump is decontaminated before maintenance.

➔ Avoid the release of pollutants.

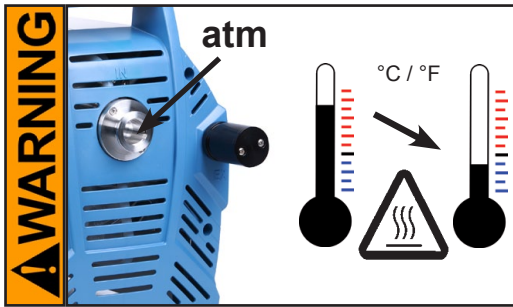
! WARNING

☞ Never operate a defective or damaged pump.



☞ Take adequate precautions to protect people from the effects of dangerous substances that may have contaminated the pump and may be released upon disassembly. Ensure that the maintenance technician is familiar with the safety procedures which relate to the products processed by the pumping system.

Use appropriate protective clothing, safety goggles and protective gloves.



- ☞ Allow sufficient cooling of the pump before starting maintenance.
- ☞ **Vent the pump and isolate it from the vacuum system before you start maintenance. Drain condensate, if applicable.**

NOTICE

Ensure that maintenance is done only by suitably trained and supervised technicians.

The valves and diaphragms are wear parts. If the rated ultimate vacuum is no longer achieved or in case of increased noise level, the pump interior, the diaphragms and the valves must be cleaned and the diaphragms and valves must be checked for cracks or other damage.

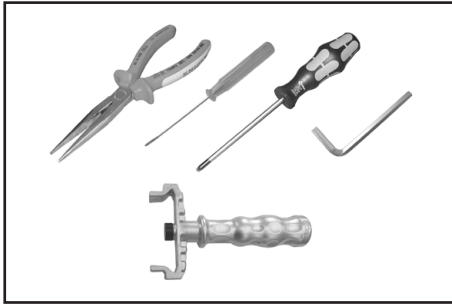
All bearings are encapsulated and are filled with long-life lubricant. Under normal operating conditions, the drive system is maintenance free.





In demanding circumstances, it may be efficient to check and clean the pump heads on a regular basis. In normal use, the lifetime of the diaphragms and valves is more than 10,000 operating hours.

- Prevent internal condensation, transfer of liquids or dust. The diaphragms and valves will be damaged if liquid is pumped in significant amount.
- Carry out maintenance frequently if the pump is exposed to corrosive media or in case of deposits.
- Regular maintenance will improve the lifetime of the pump and also protect both users and the environment.

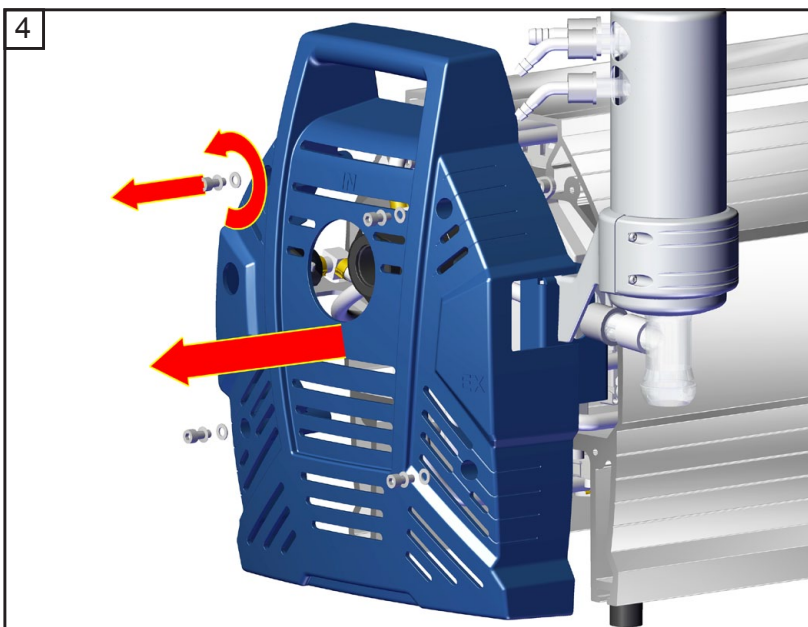
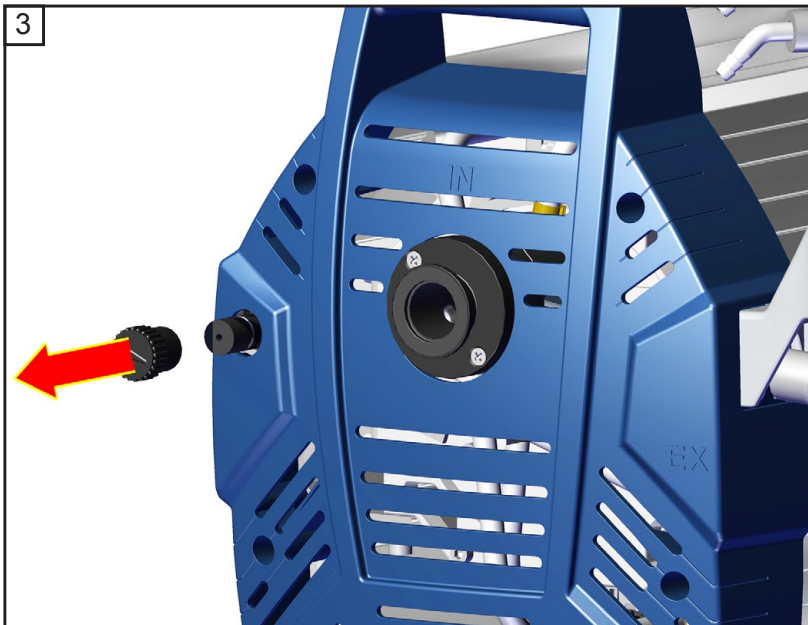
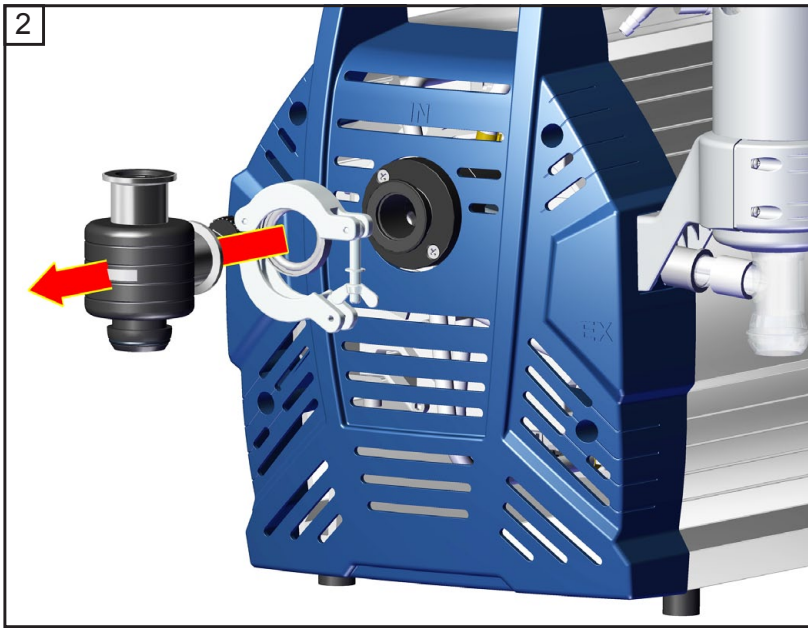
Set of seals (diaphragms and valves)	8x 696813
for ME 16C NT VARIO / PC 3016 NT VARIO	
Set of seals (diaphragms, valves and O-rings)	696821
for MD 12C NT VARIO, MV 10C NT VARIO / PC 3012 NT VARIO / PC 3010 NT VARIO	
Diaphragm key (w/f 66)	636554

- ☞ Service only one side of the pump at a time to avoid the mixing of parts.
- ☞ In case, support the pump appropriately.

**Tools required (metric):**

- Torx driver T10 / T20 
- 3 / 4 / 5 mm wide Allen key 
- 2.5 mm wide slotted screwdriver 
- Flat pliers
- Phillips screwdriver size 2 
- Diaphragm key width 66 mm

Disassembling the pump housing



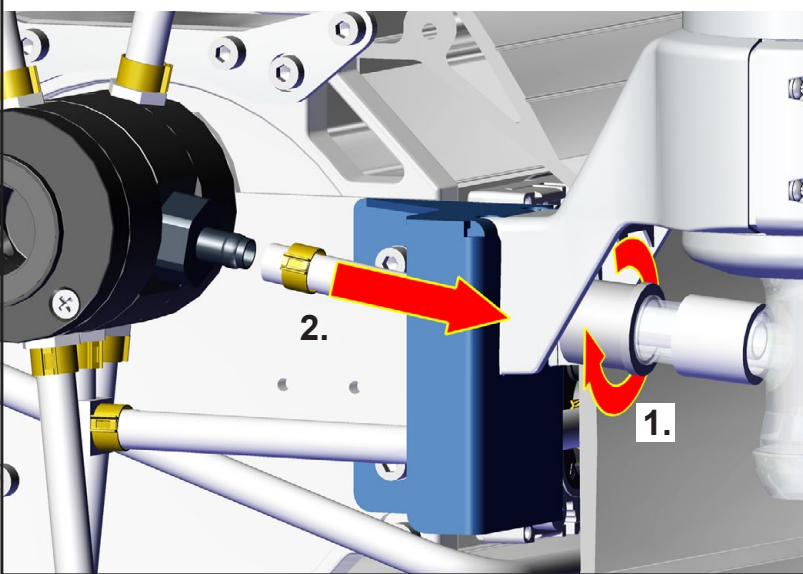
 4
4x

5



 2.5 mm

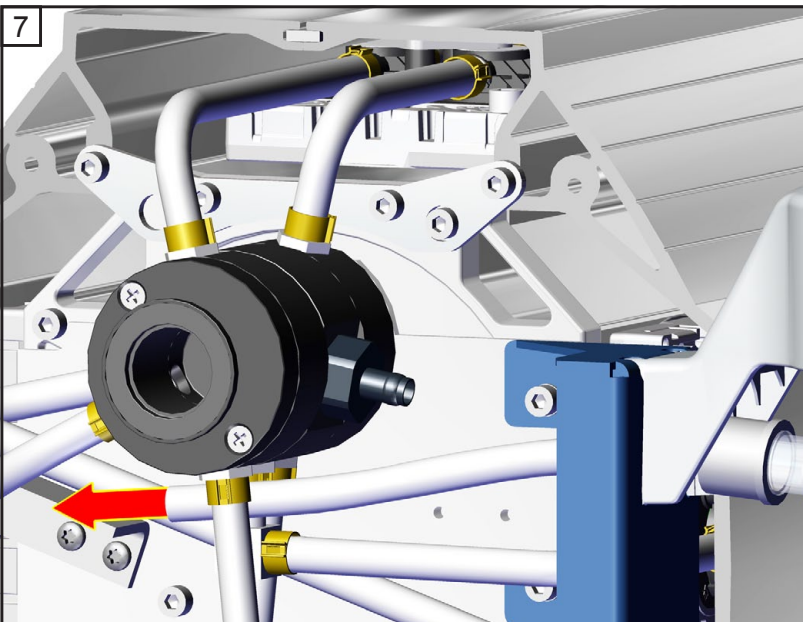
6



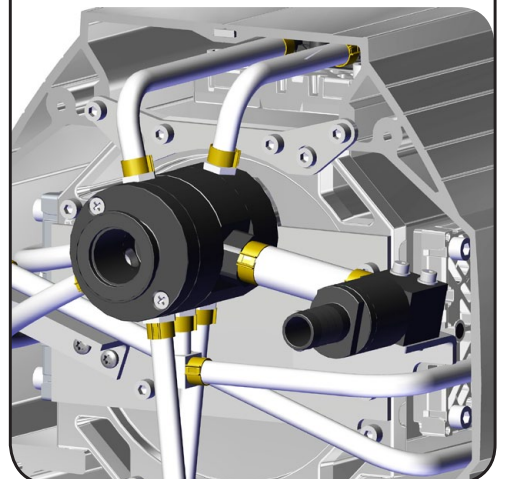
 2.5 mm

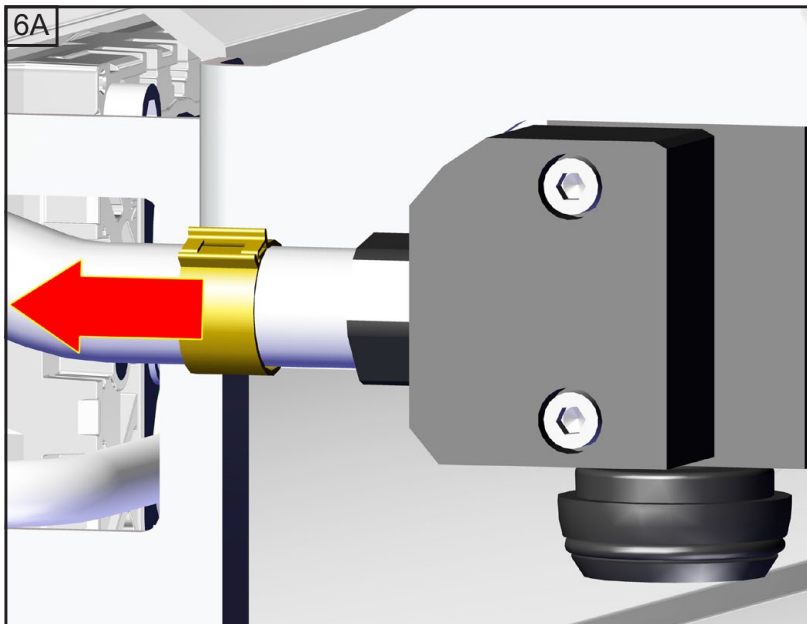
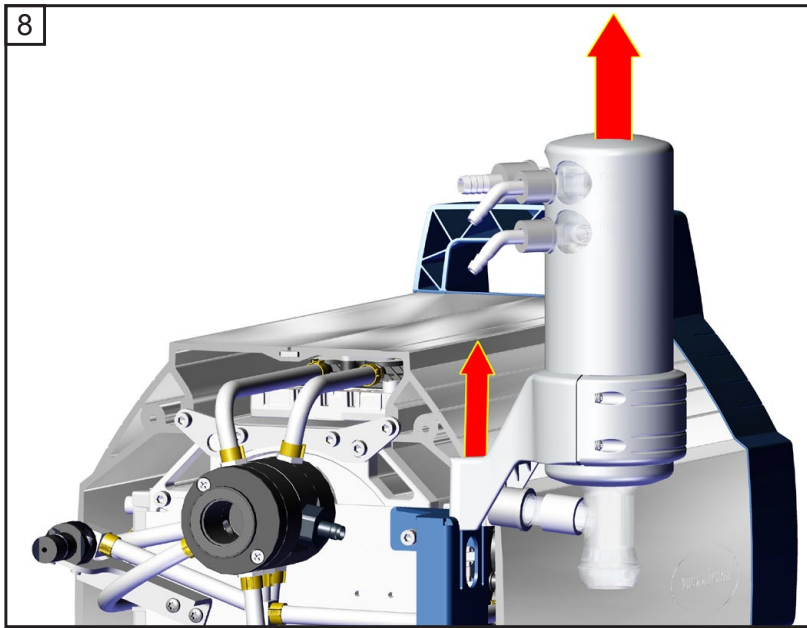


7



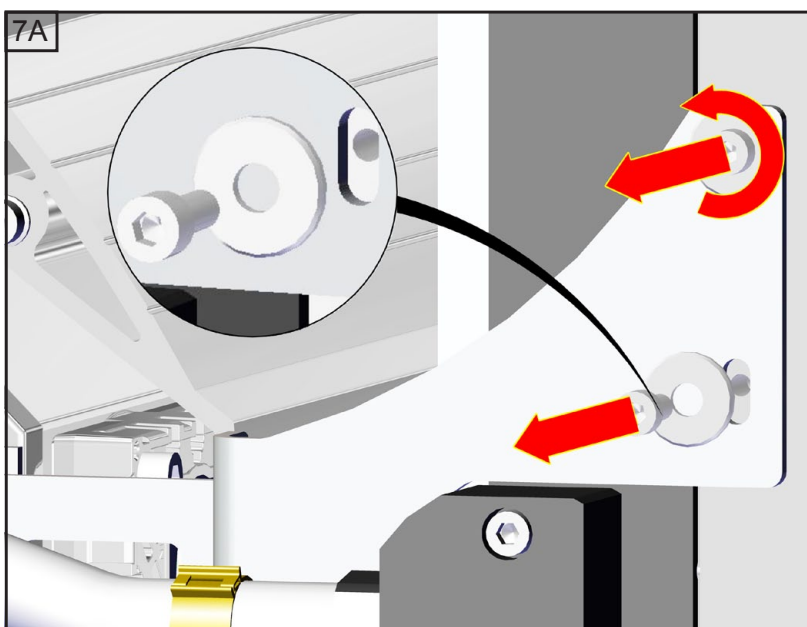
**ME 16C NT VARIO o.C.,
MD 12C NT VARIO o.C.,
MV 10C NT VARIO o.C.:**





Emission condenser Peltronic

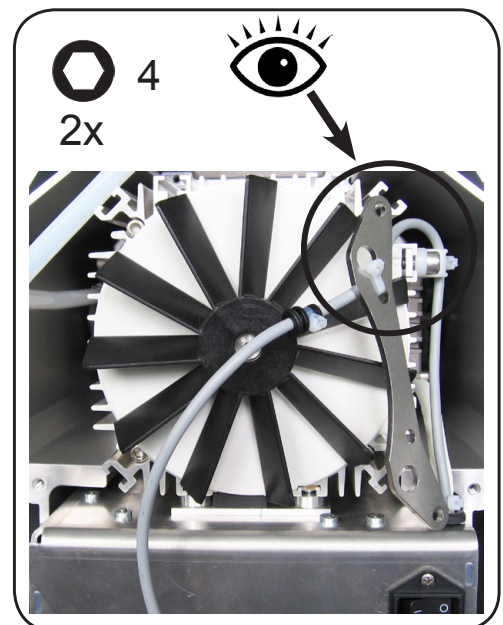
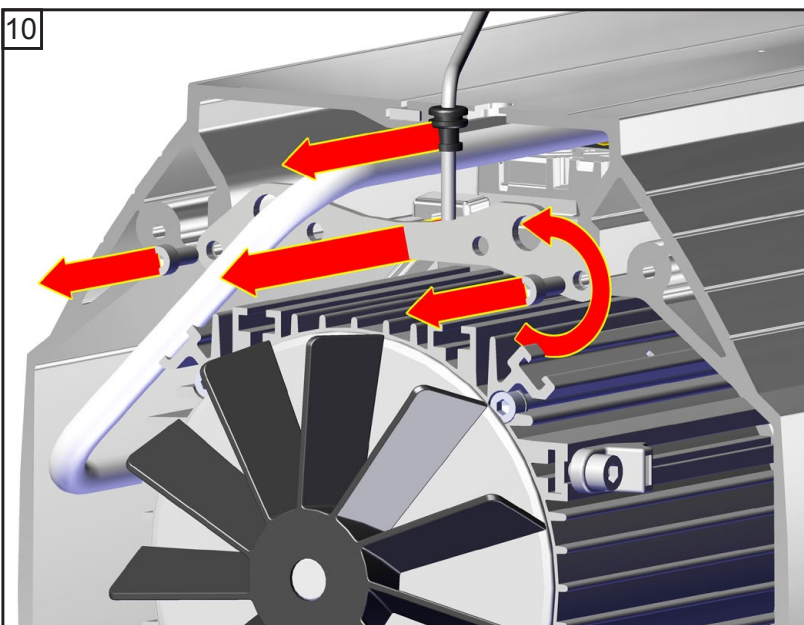
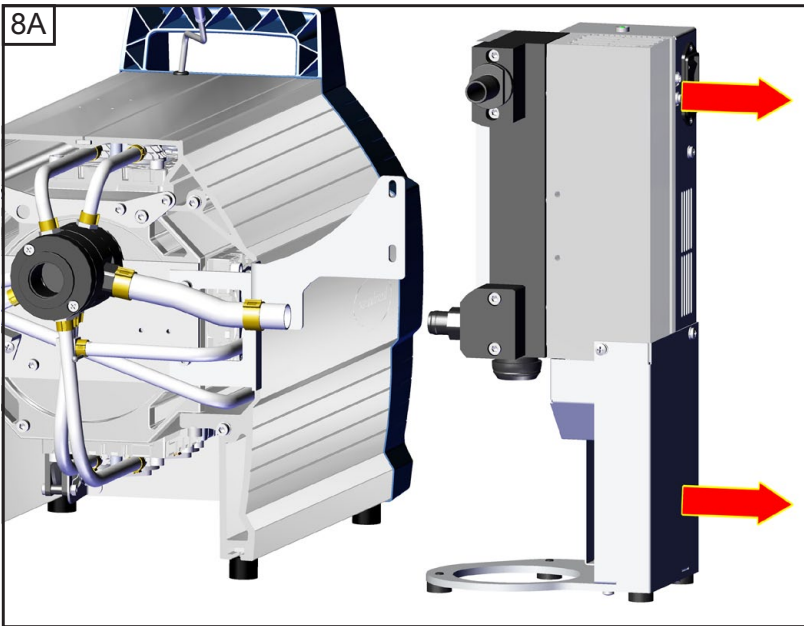
— 2.5 mm

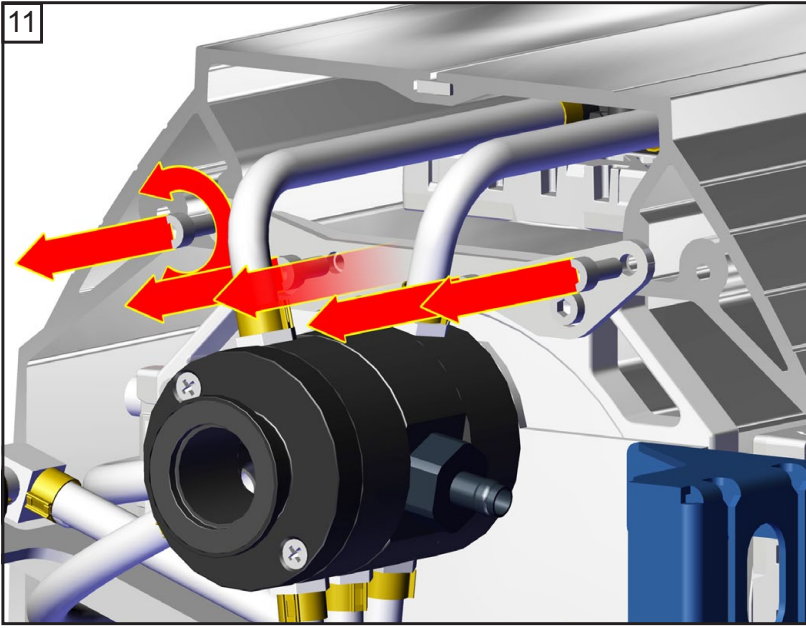


Emission condenser Peltronic

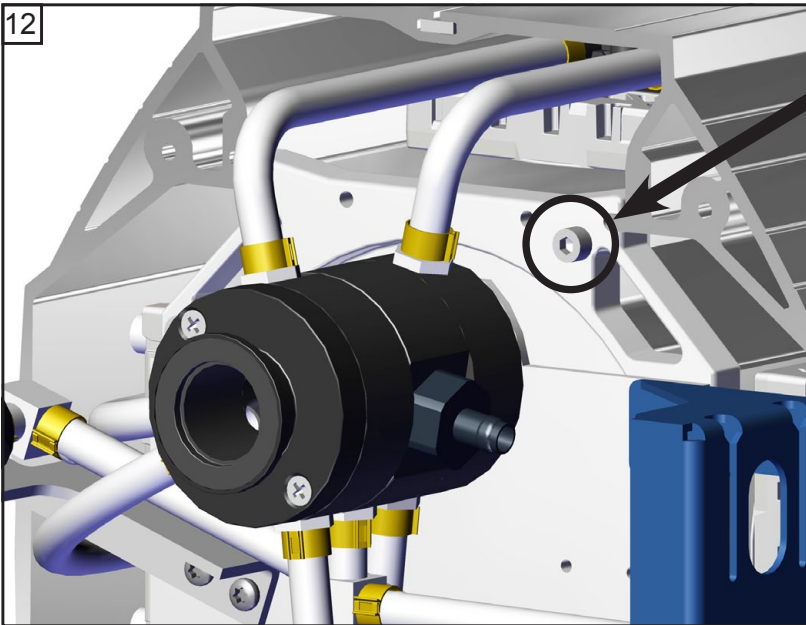
⬡ 4
2x

Emission condenser Peltronic

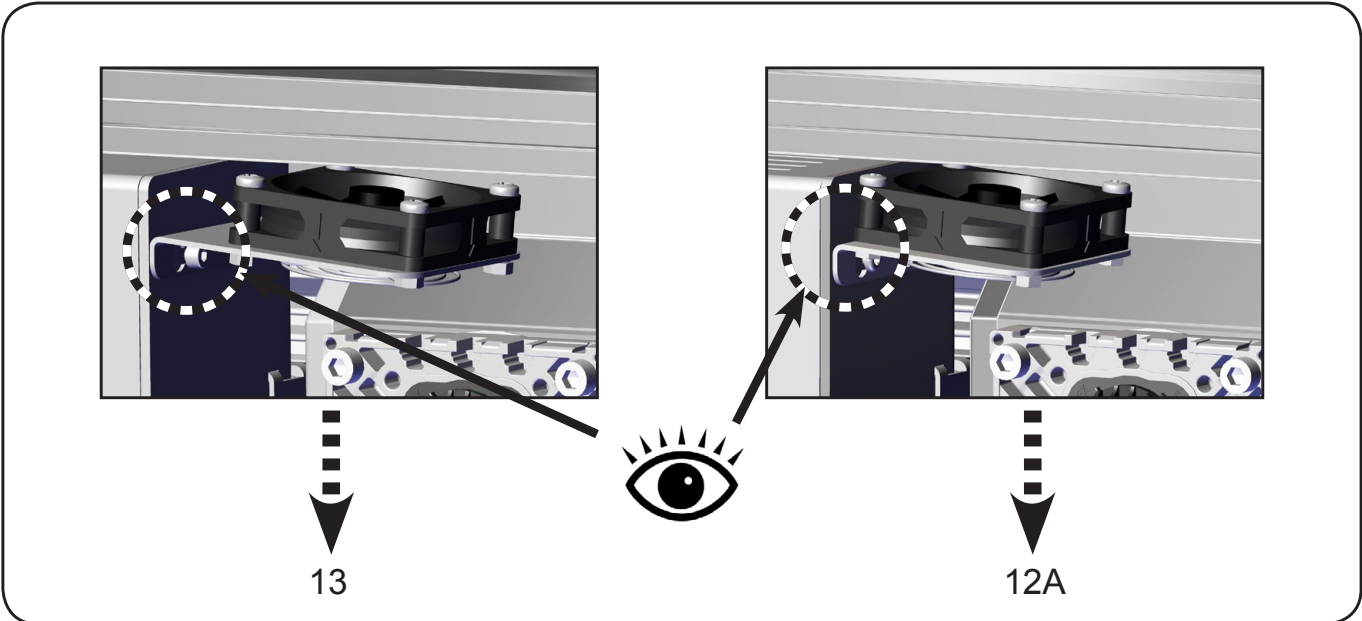


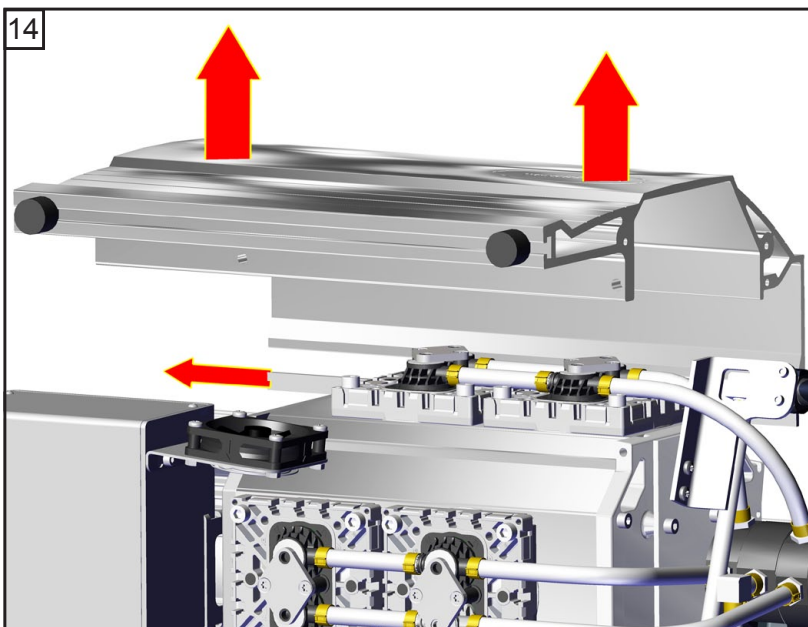
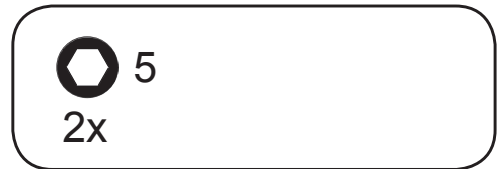
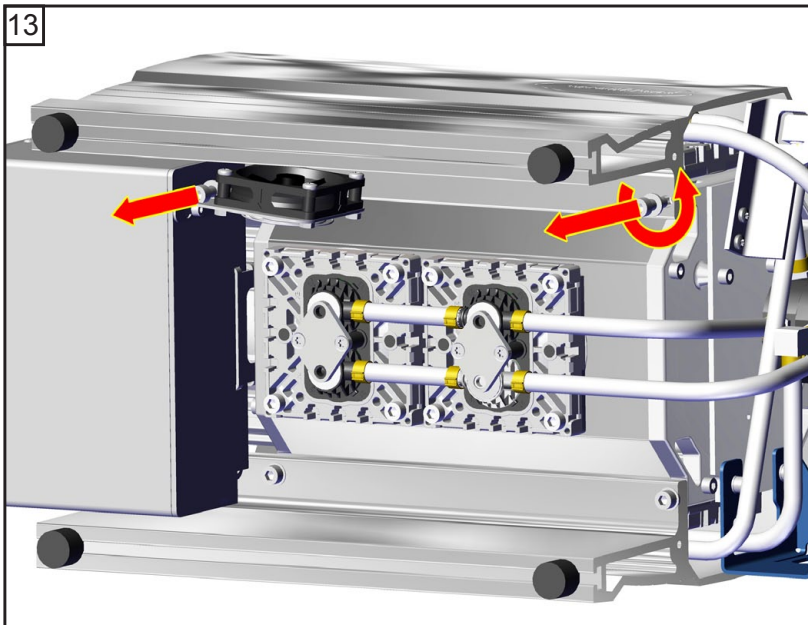
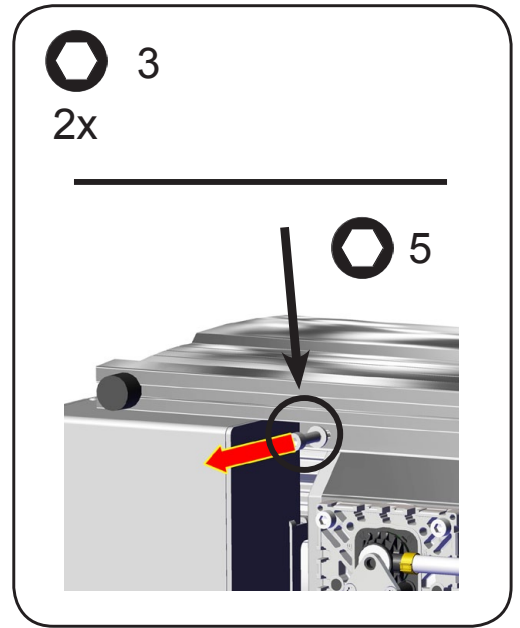
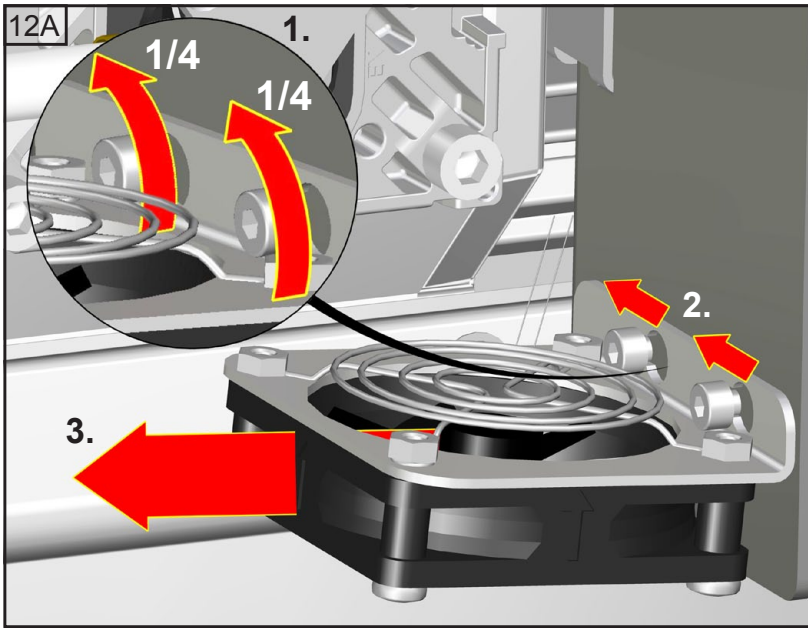


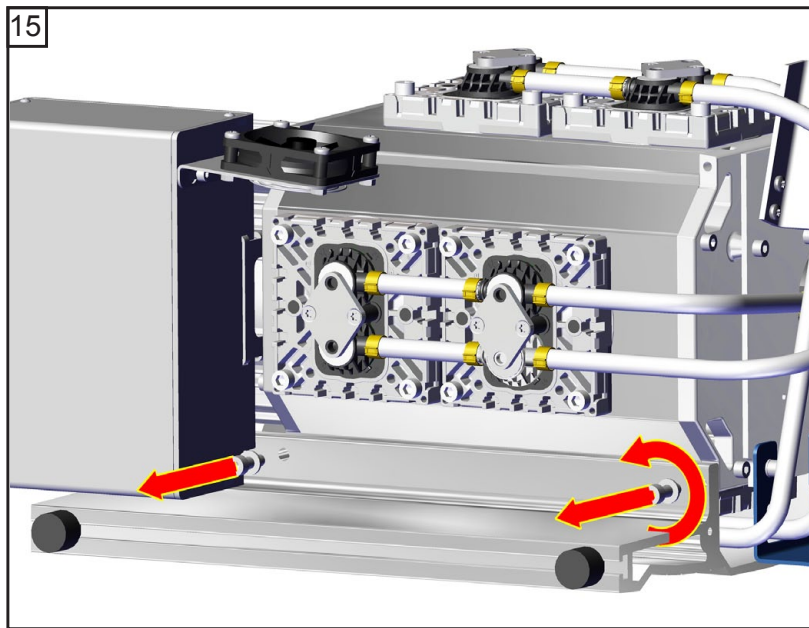
 4
4x



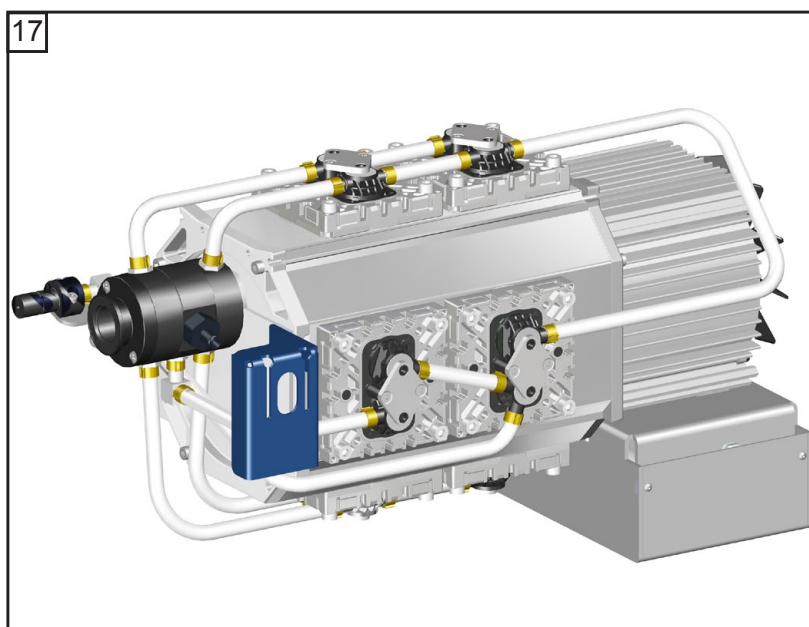
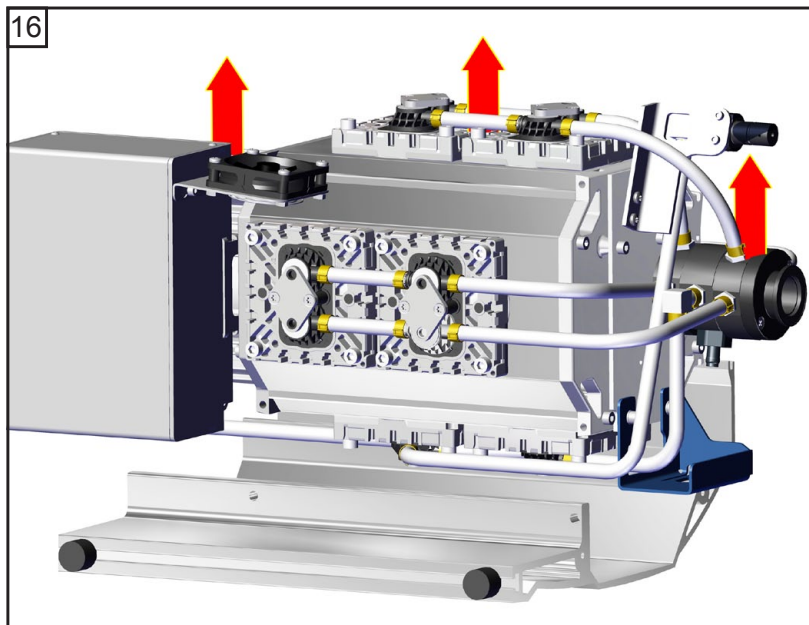
 **Don't loosen this screw!**



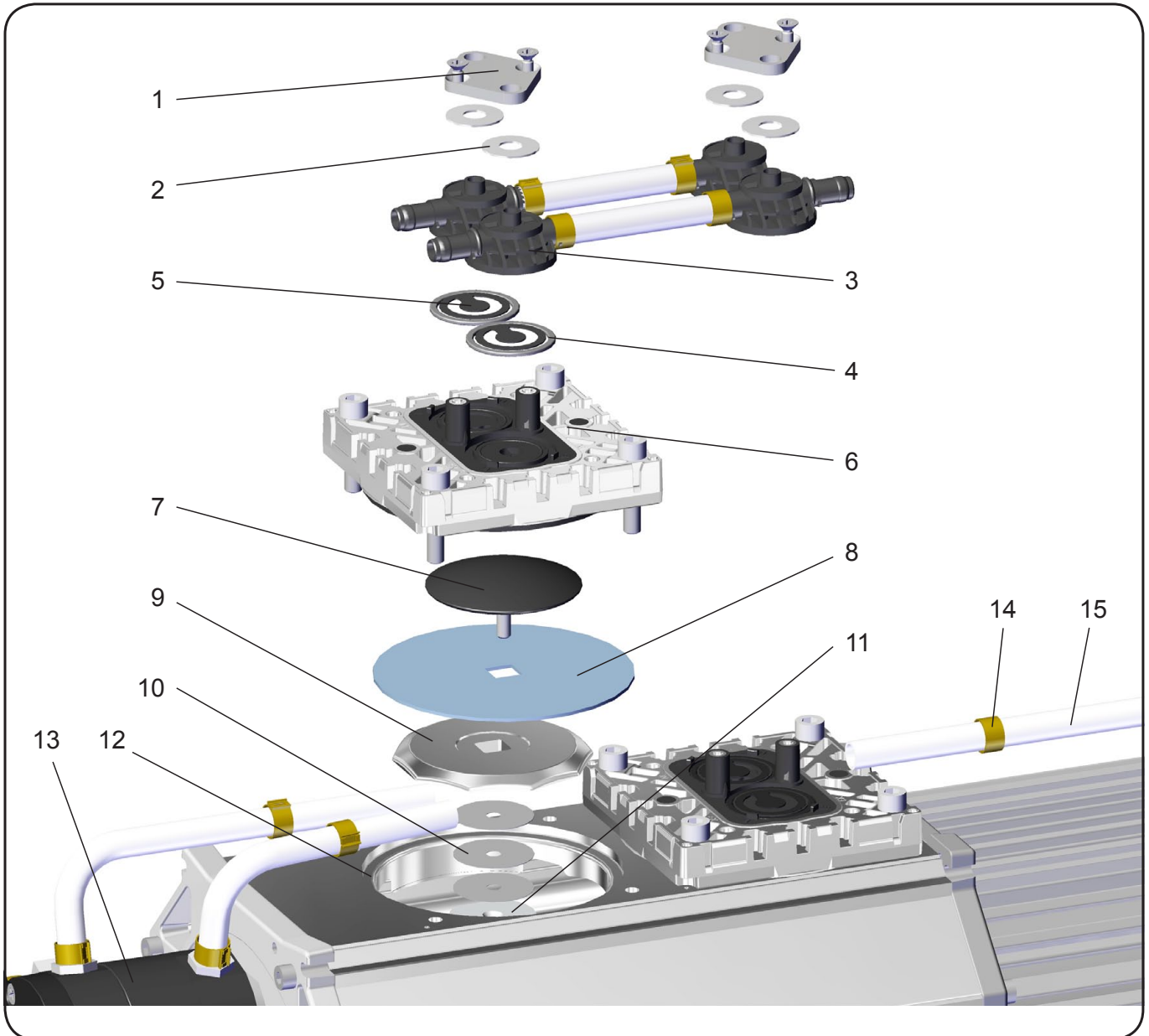




5
2x

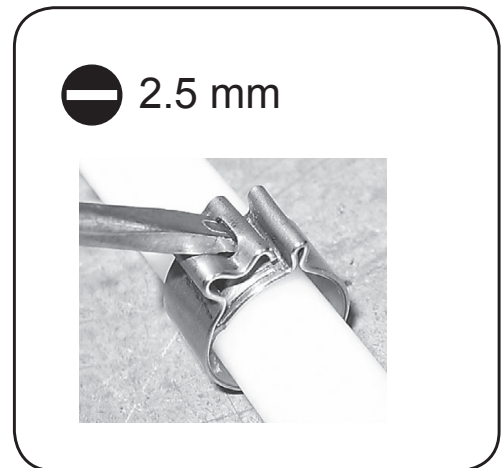
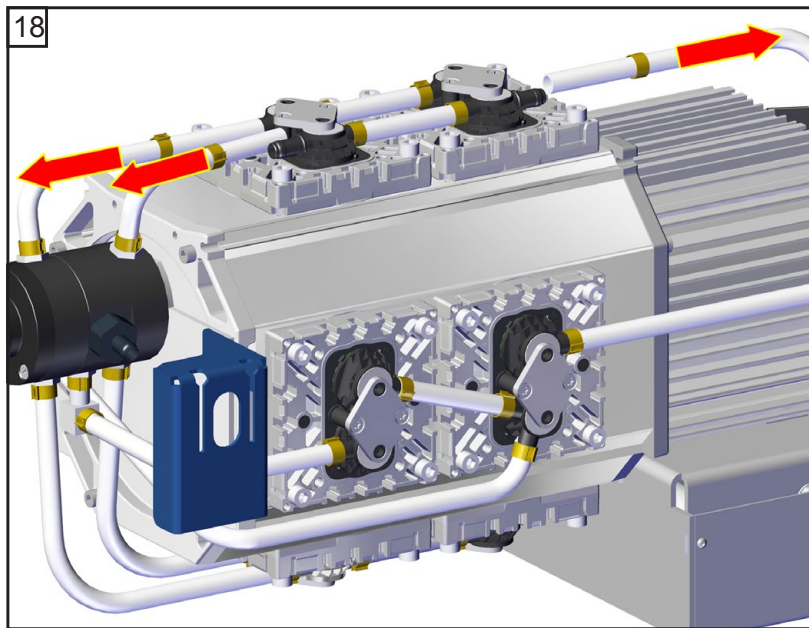


Checking diaphragms and valves

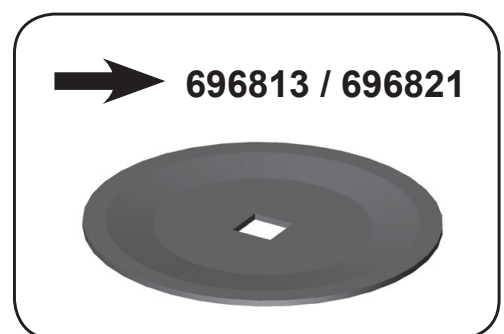
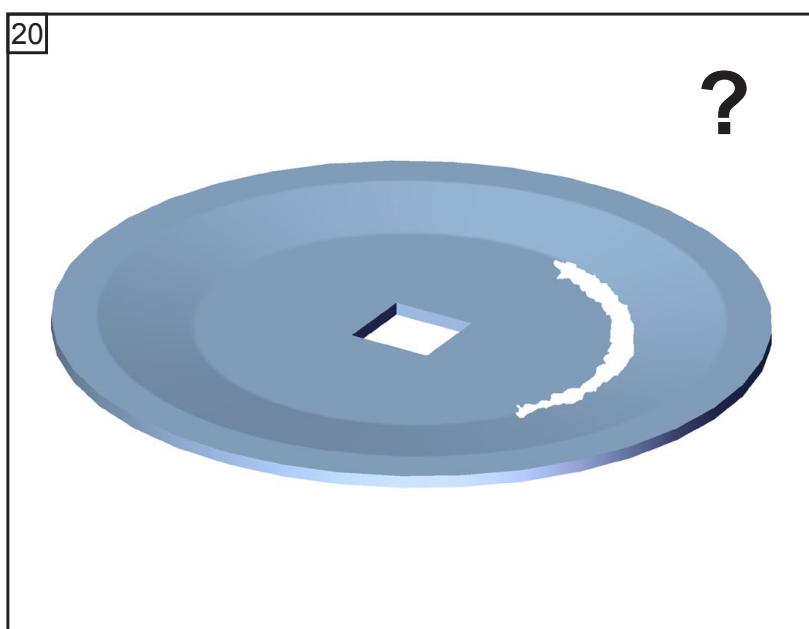
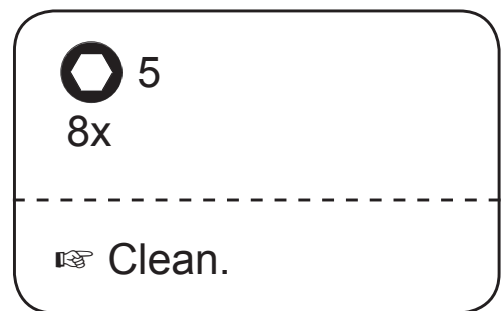
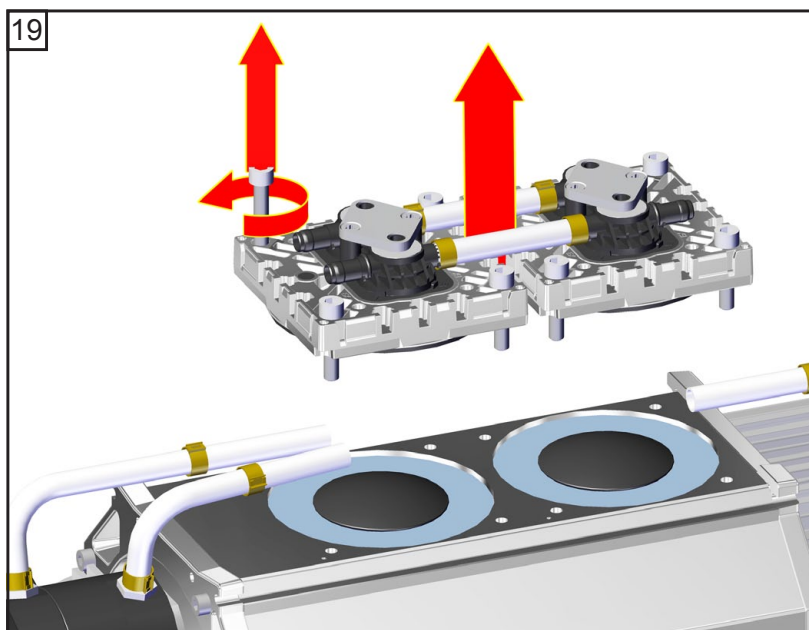


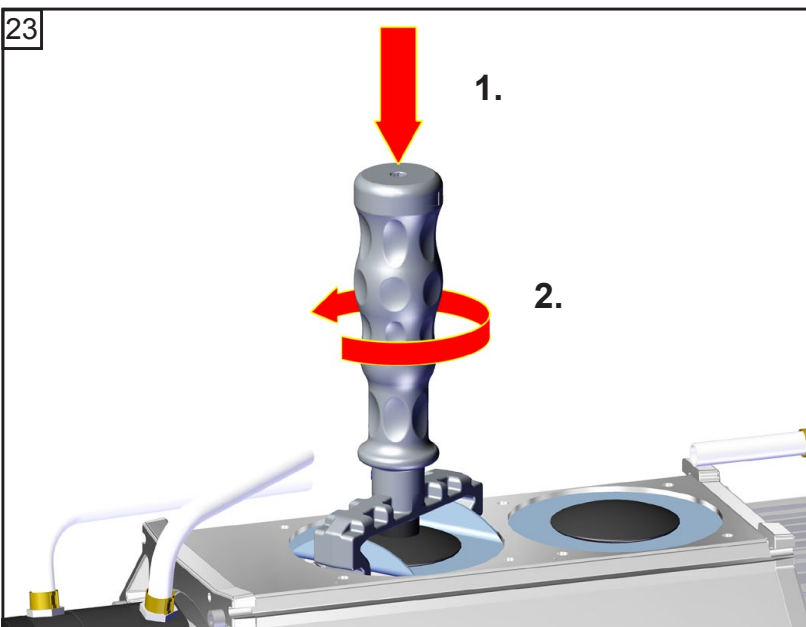
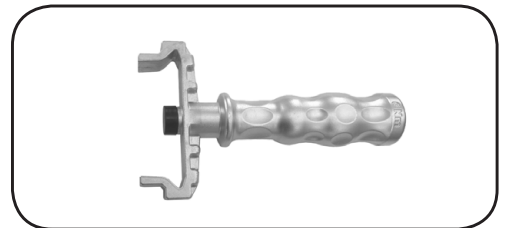
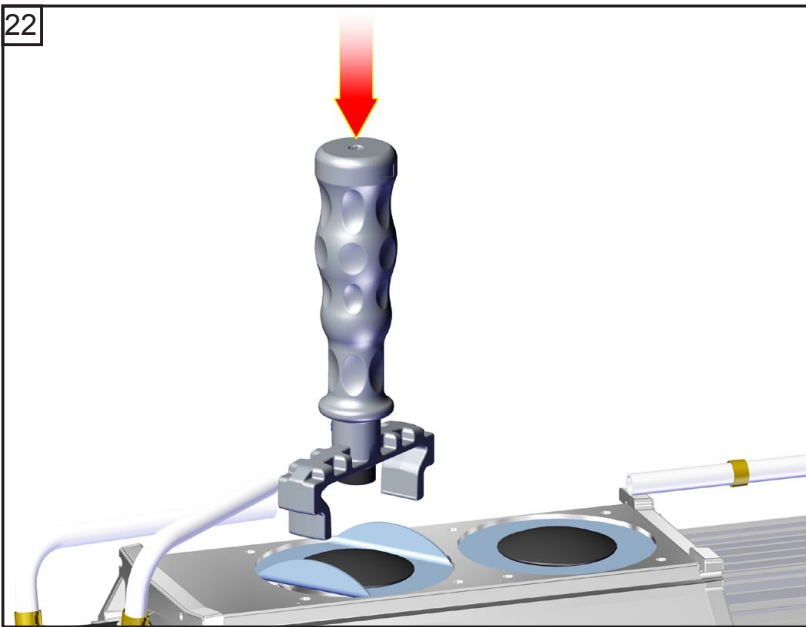
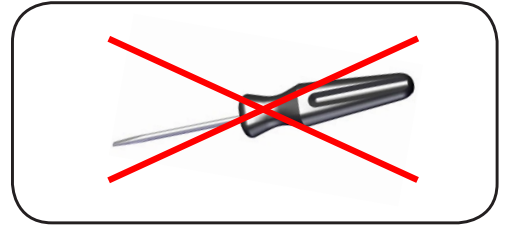
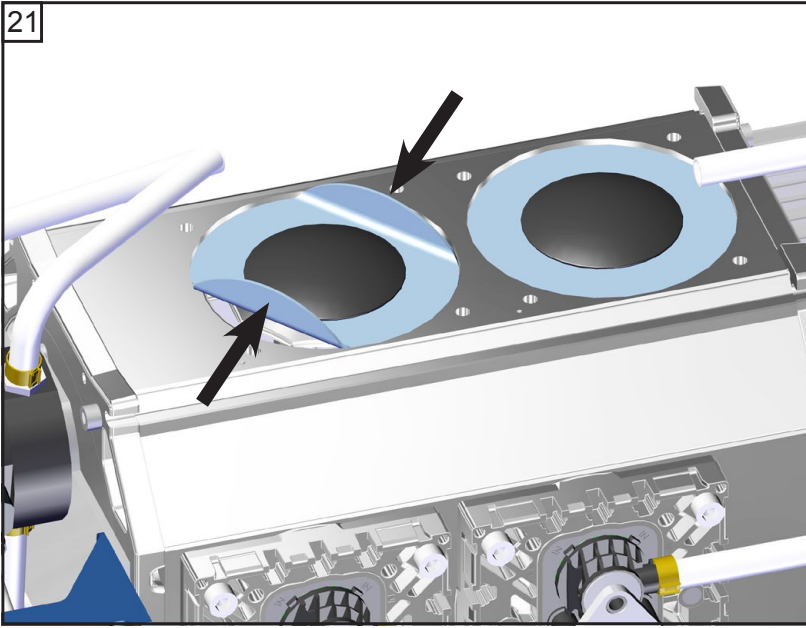
Position	Component
1	Clamping bracket
2	Disc spring
3	Valve head
4	O-rings
5	Valves
6	Head cover
7	Diaphragm clamping disc with square head screw
8	Diaphragm

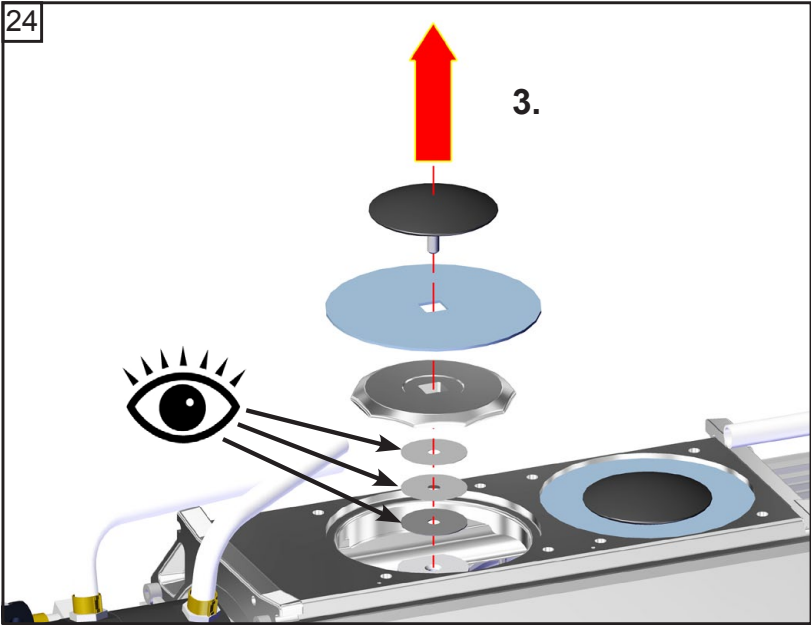
Position	Component
9	Diaphragm support disc
10	Washers
11	Connecting rod
12	Housing
13	Distributor
14	Hose clip
15	PTFE tube



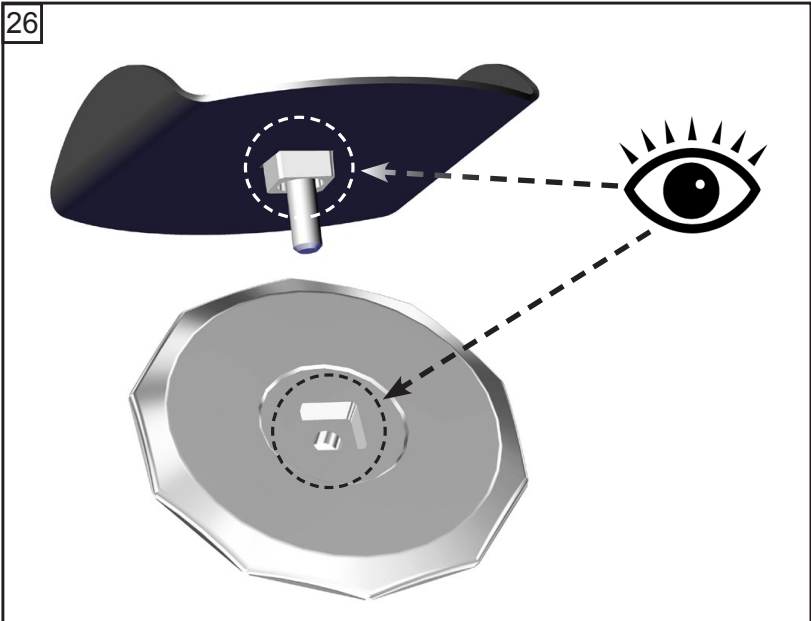
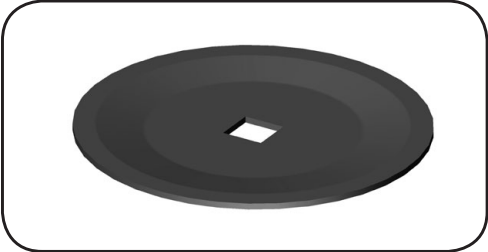
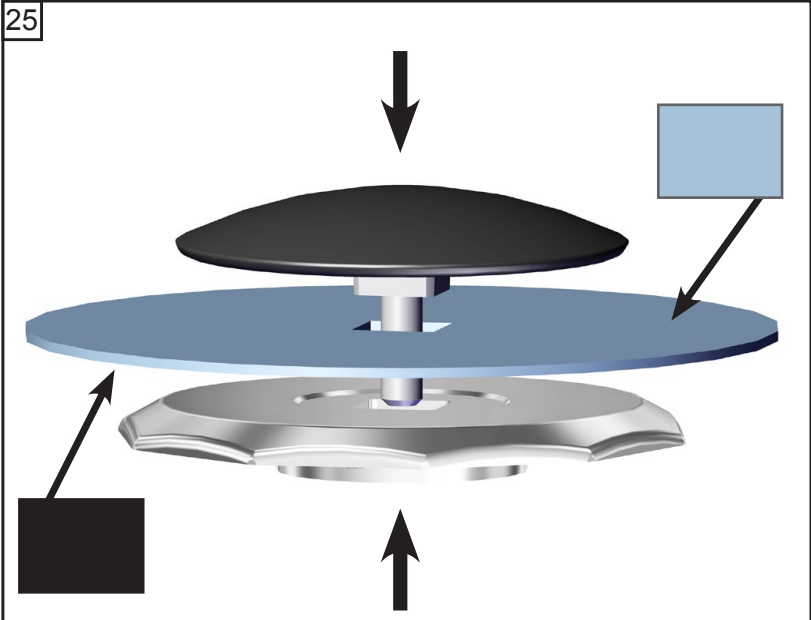
Replacing the diaphragms



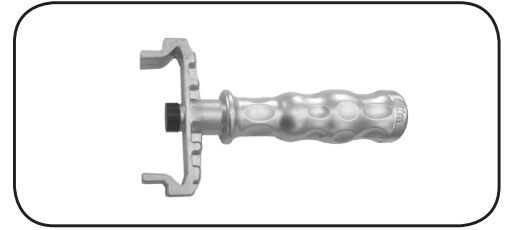
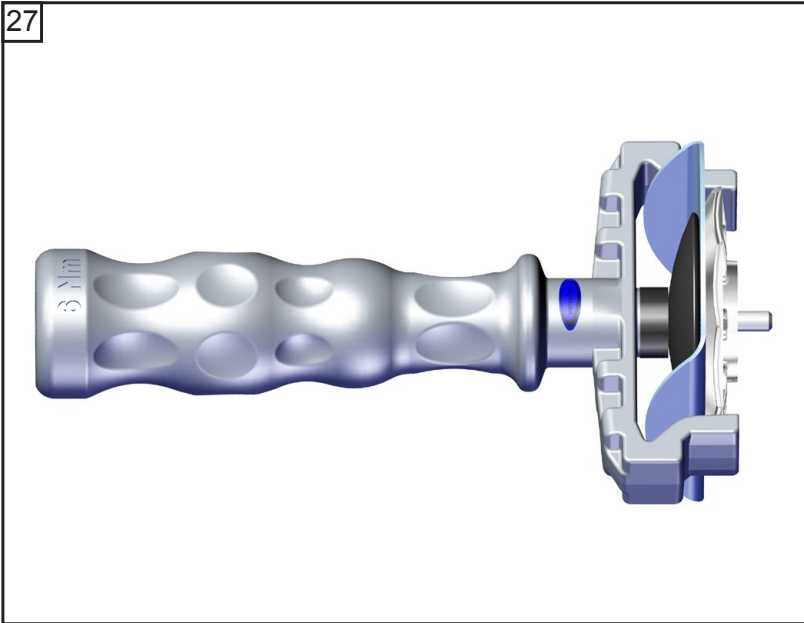




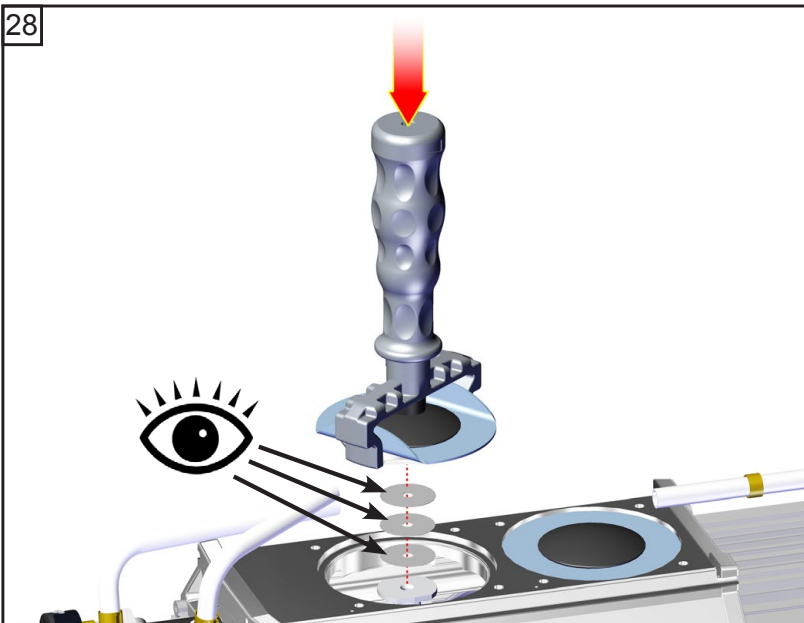
☞ Pay attention to number of washers!



27

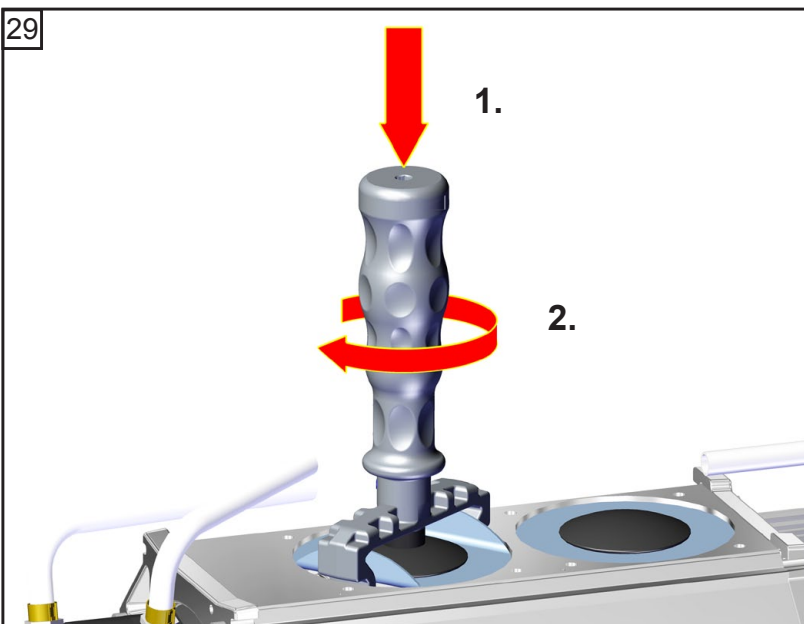


28




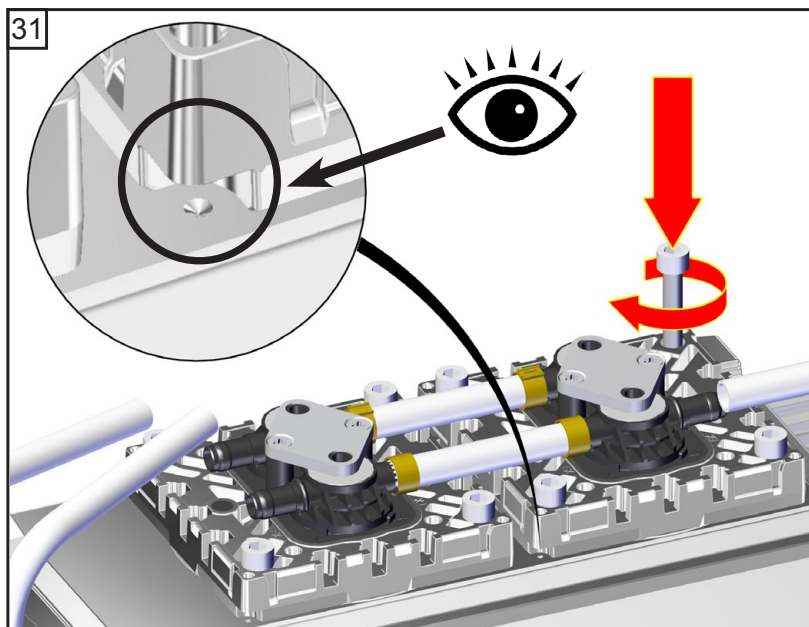
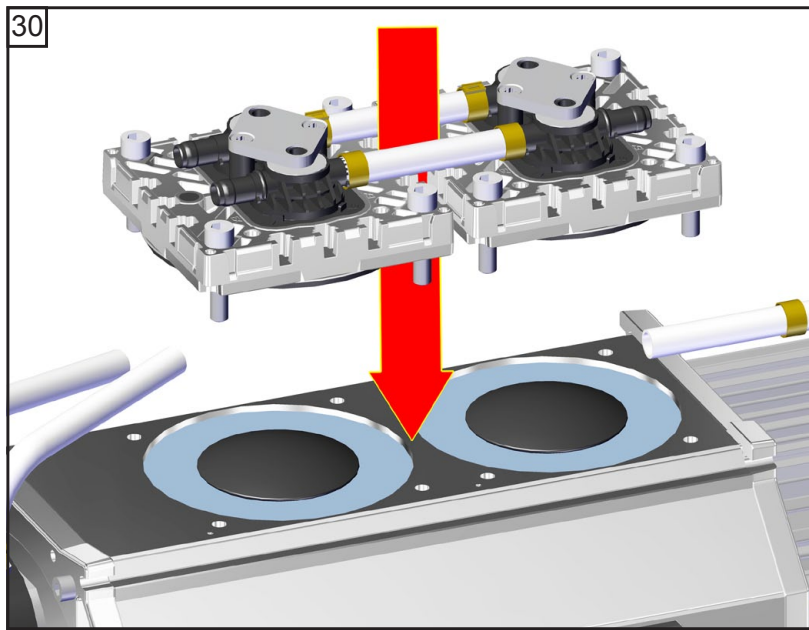
☞ Pay attention to number of washers!


29





☞ **4.4 ft.lbf (6 Nm)**

It is recommended to use a torque wrench. Attach torque wrench to diaphragm key (hexagonal bolt  6 mm wide).

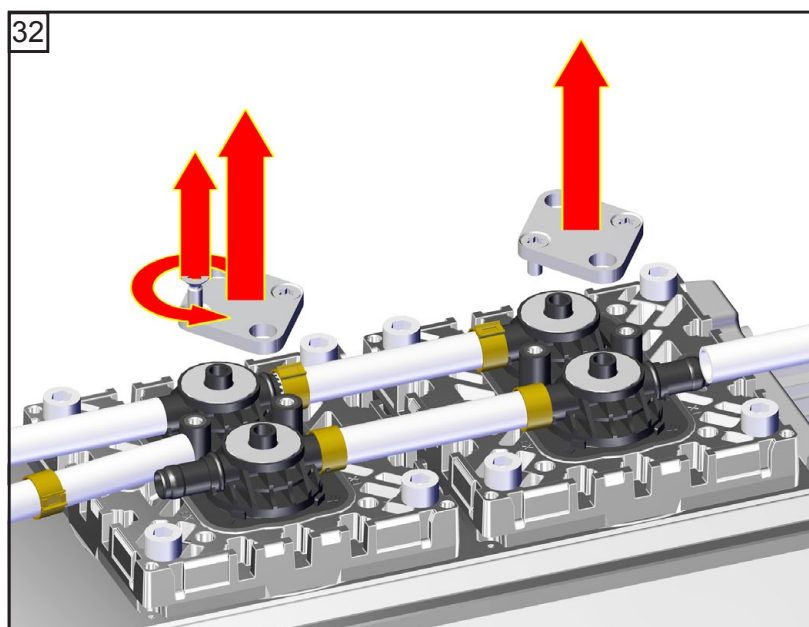



 5
8x

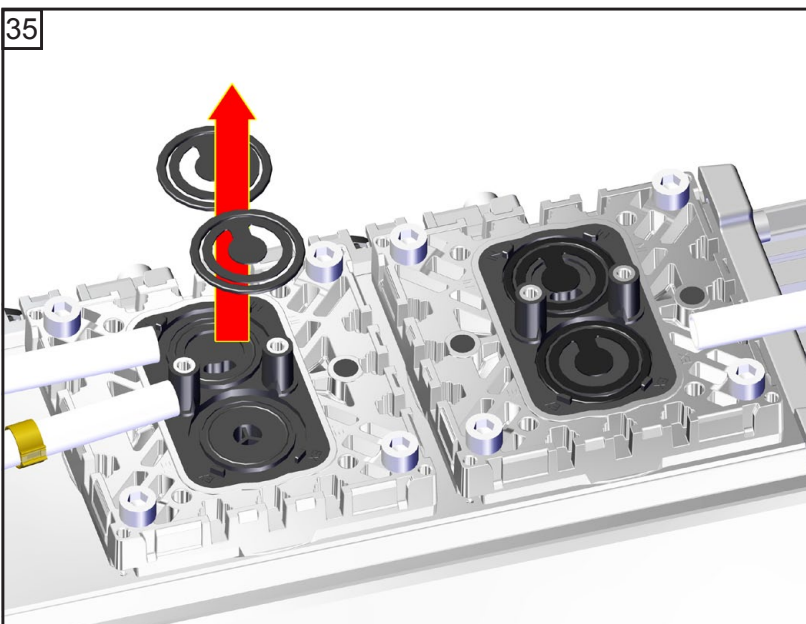
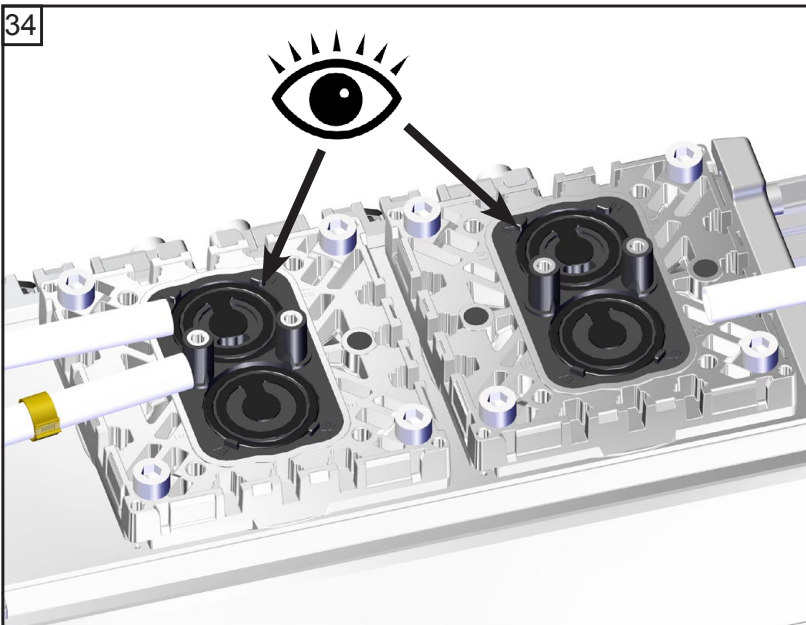
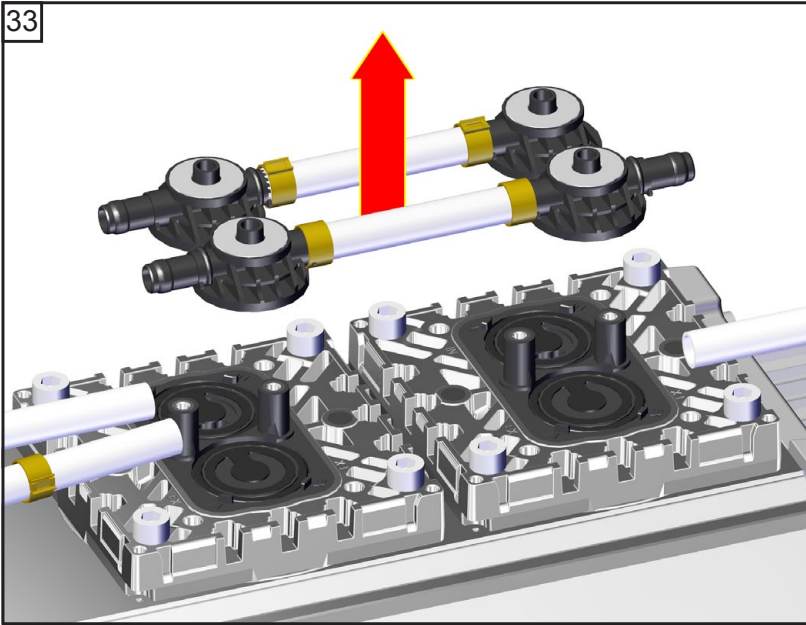
 Screw in diagonally at first slightly, then tighten.

 **8.9 ft.lbf (12 Nm)**

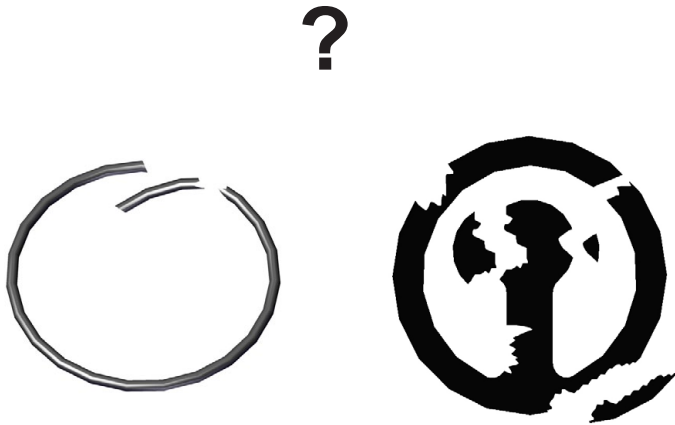
Replacing the valves



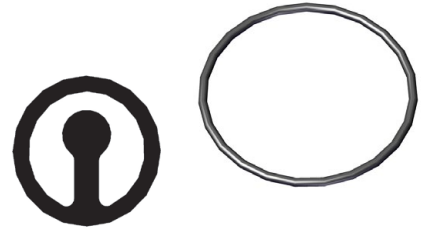
 T20
4x



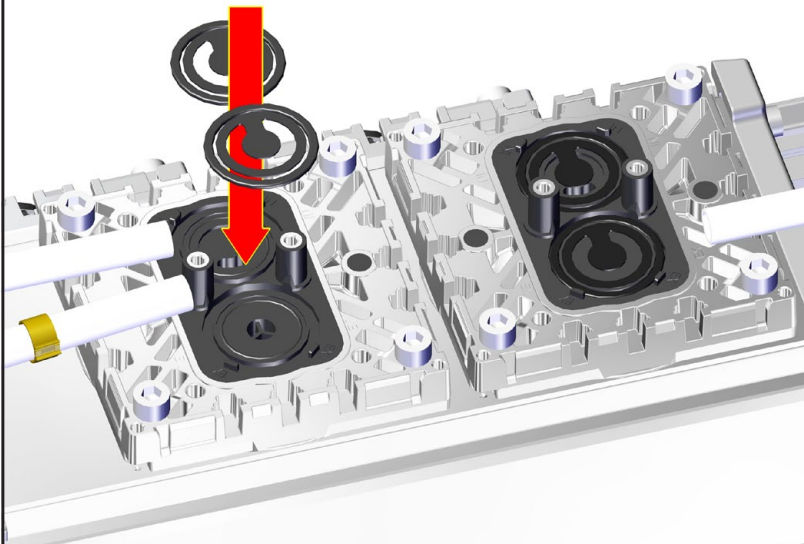
36



➔ 696813 / 696821

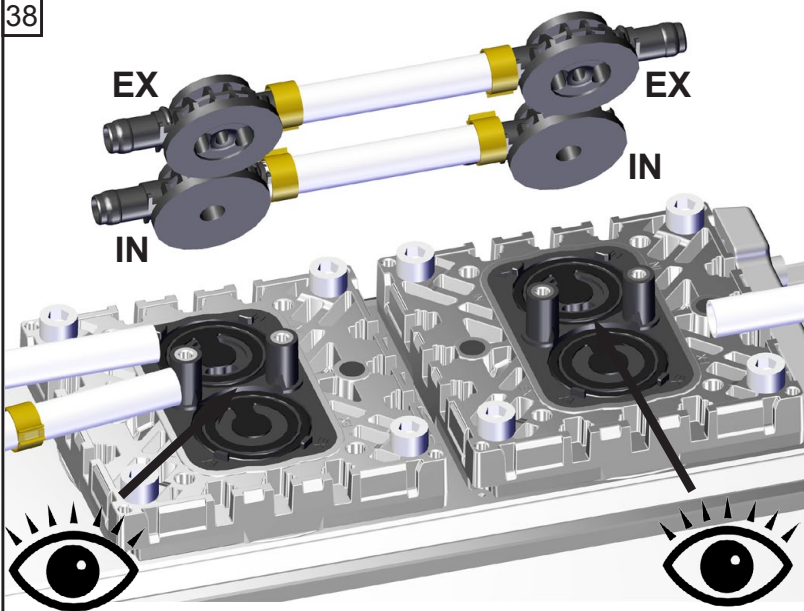


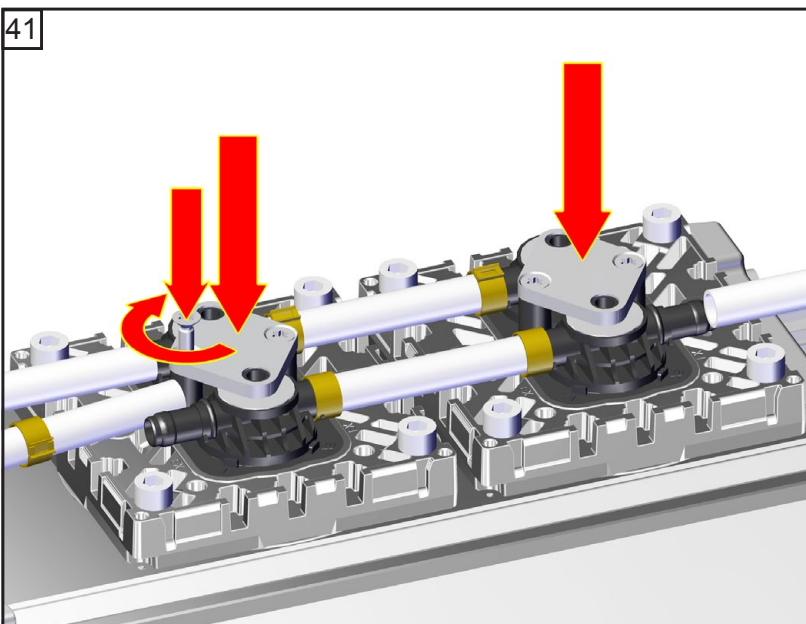
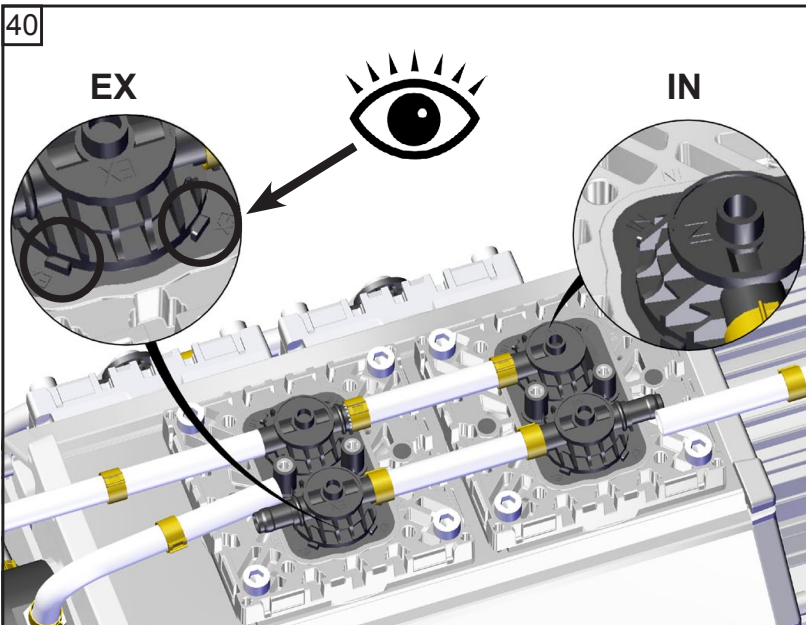
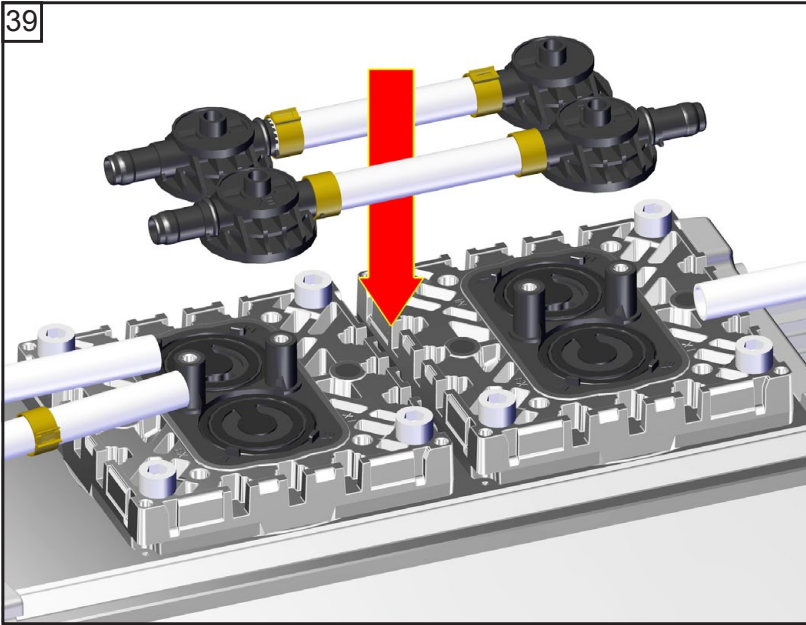
37





4x

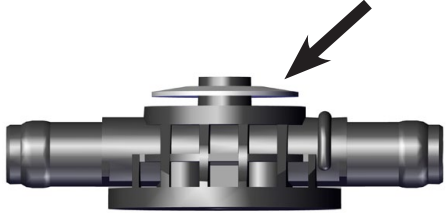
38



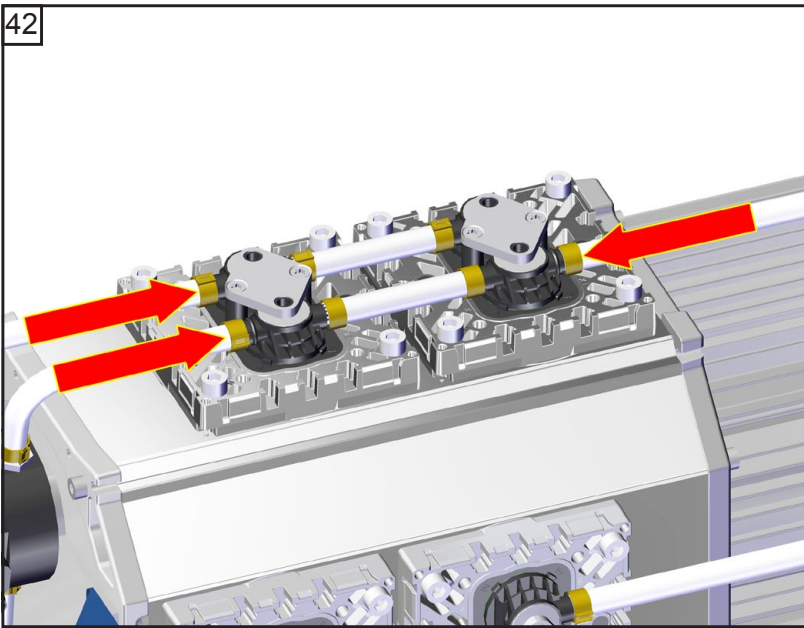


 T20
4x

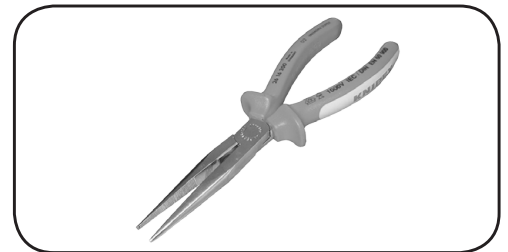
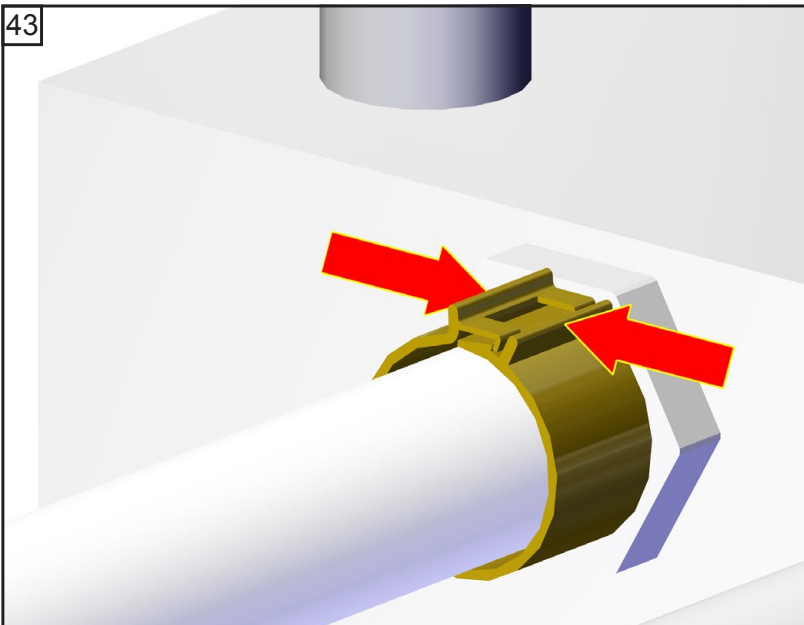
 2.2 ft.lbf (3 Nm)



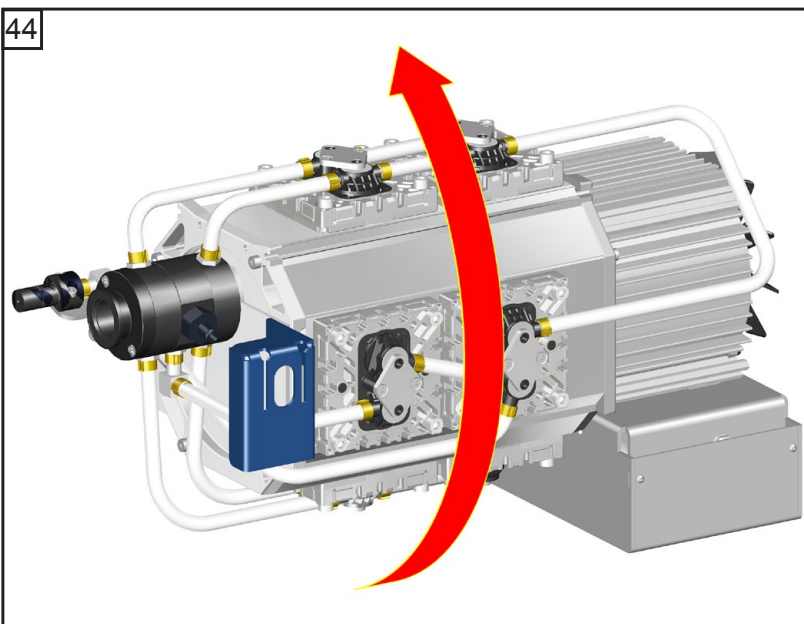
42



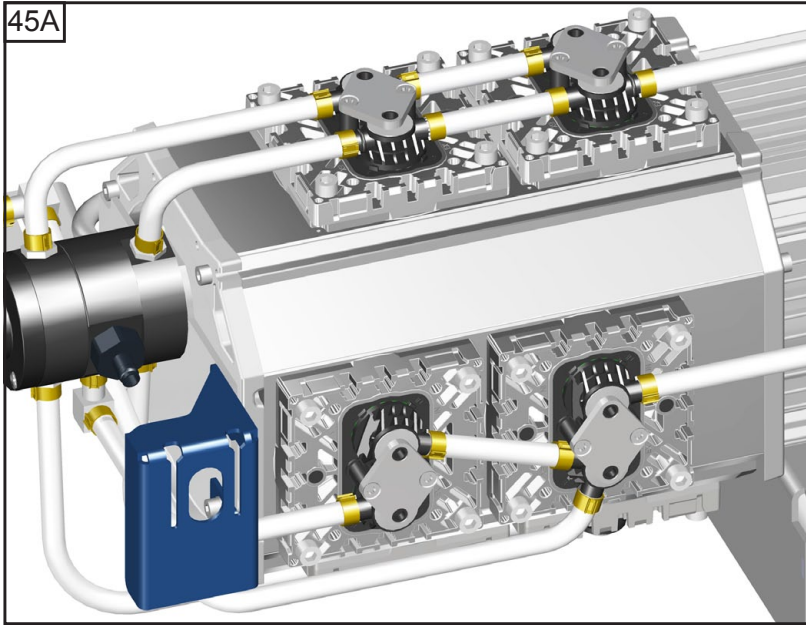
43



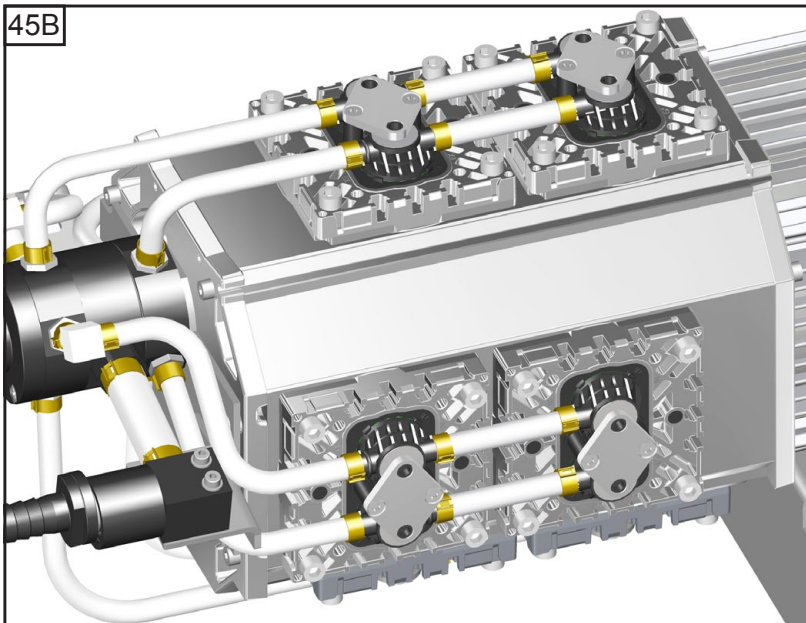
44



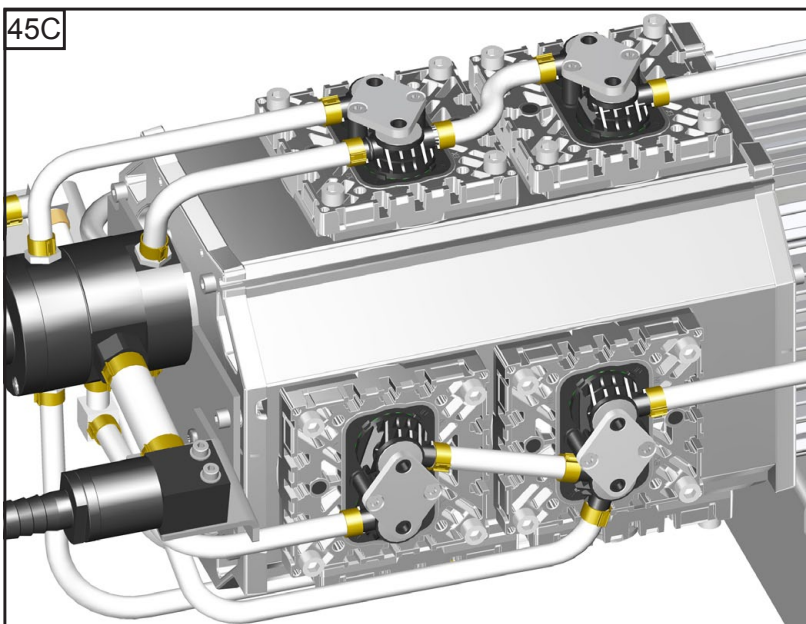
☞ Maintain all pump heads in the same way.



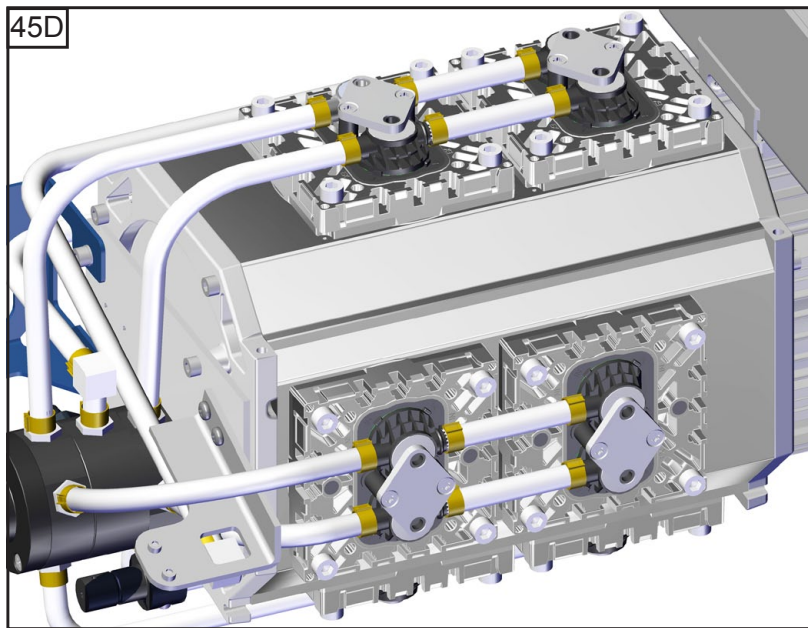
MD 12C NT VARIO o.C.
PC 3012 NT VARIO o.C.



ME 16C NT VARIO o.C.
PC 3016 NT VARIO o.C.

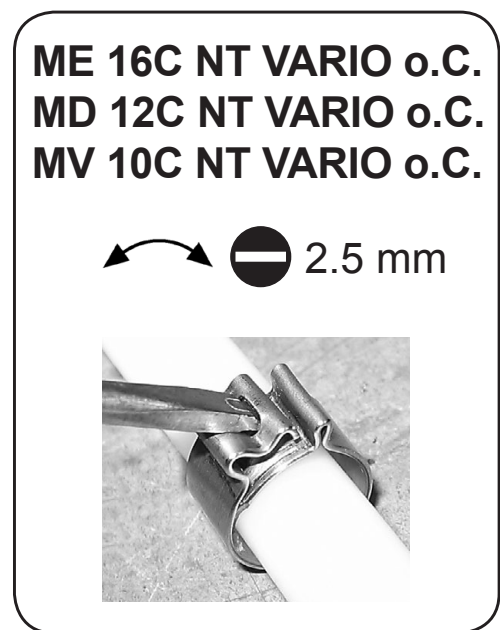
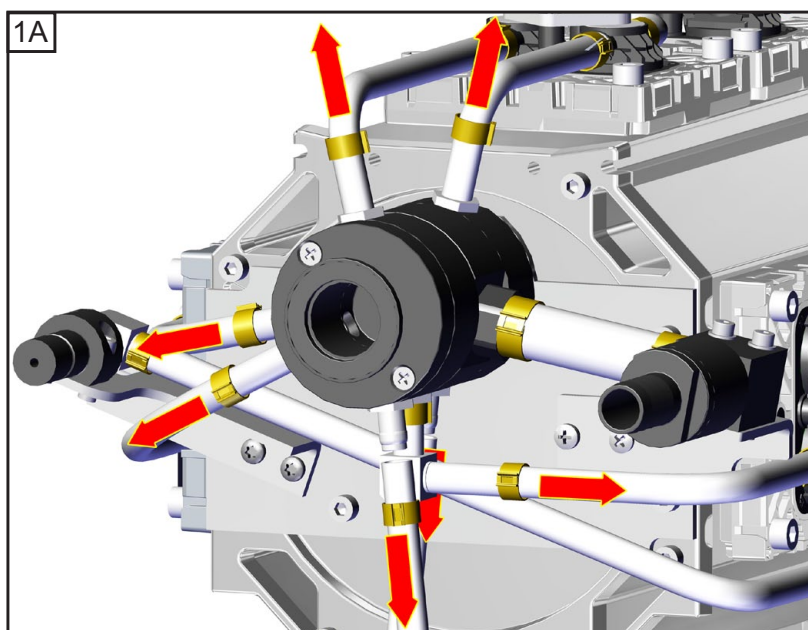
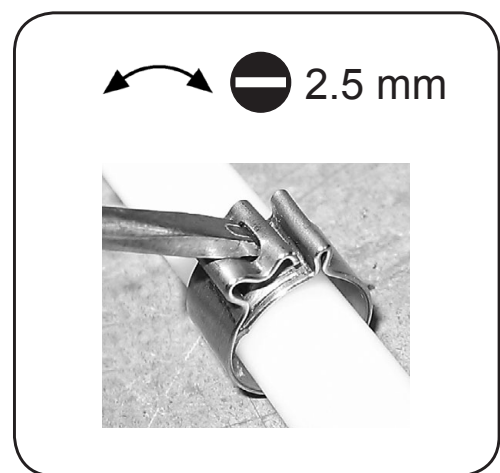
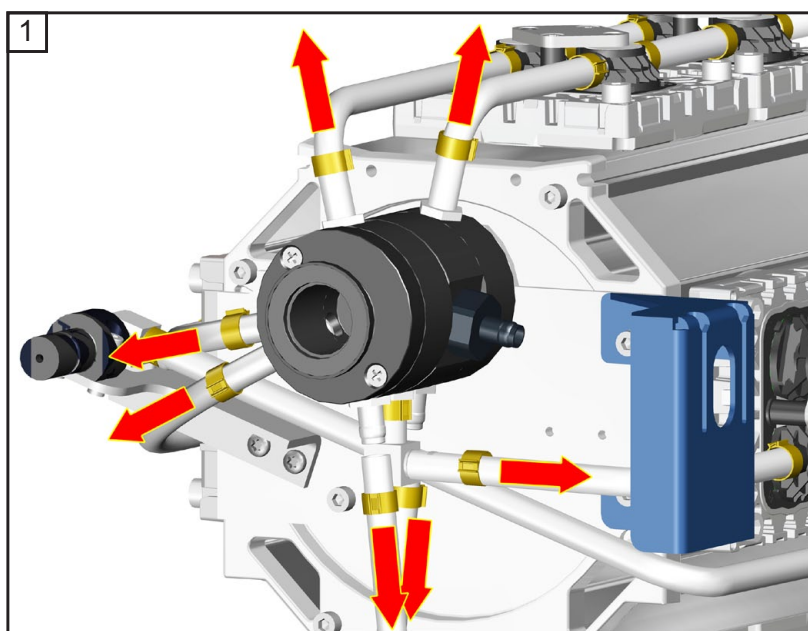


MV 10C NT VARIO o.C.
PC 3010 NT VARIO o.C.

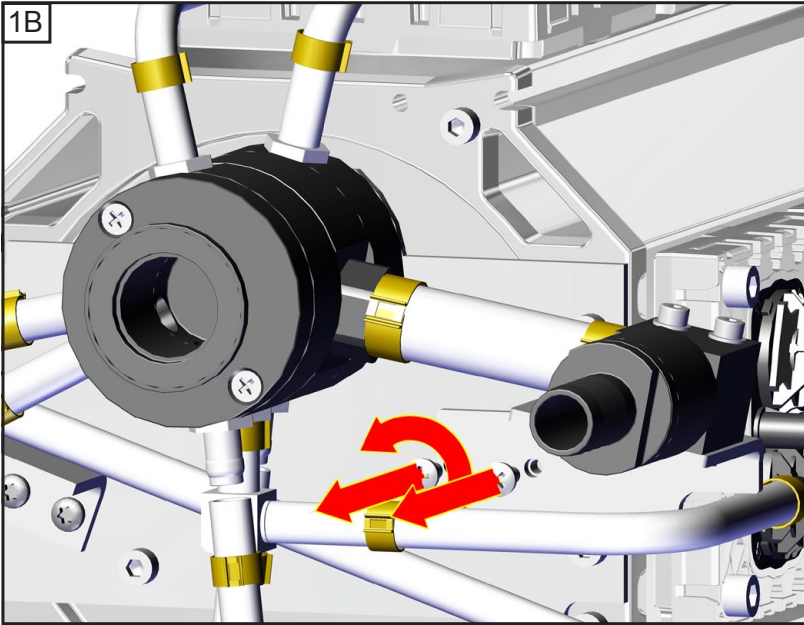


ME 16C NT VARIO o.C.
MD 12C NT VARIO o.C.
MV 10C NT VARIO o.C.
PC 3016 NT VARIO o.C.
PC 3012 NT VARIO o.C.
PC 3010 NT VARIO o.C.

**Replacing the valve at the distributor
(not ME 16C NT VARIO o.C. / PC 3016 NT VARIO o.C.)**

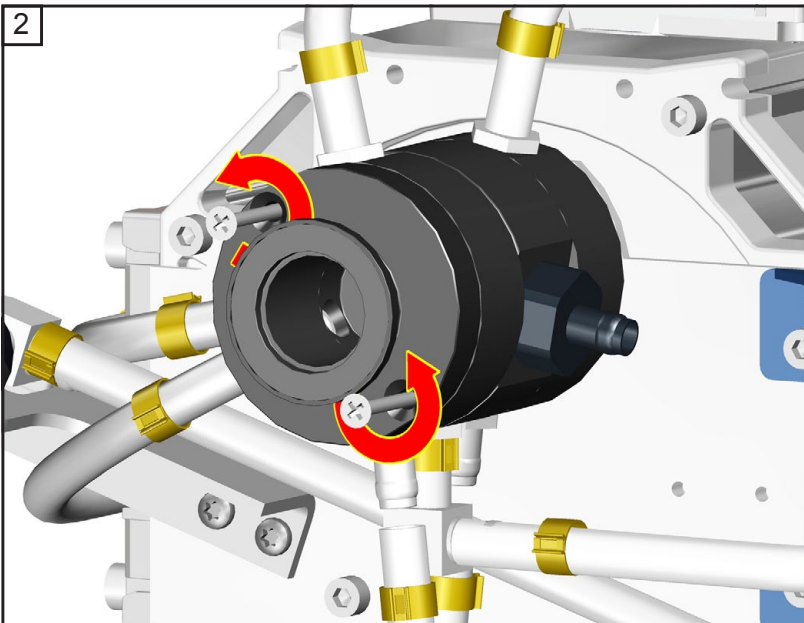


ME 16C NT VARIO o.C.
MD 12C NT VARIO o.C.
MV 10C NT VARIO o.C.

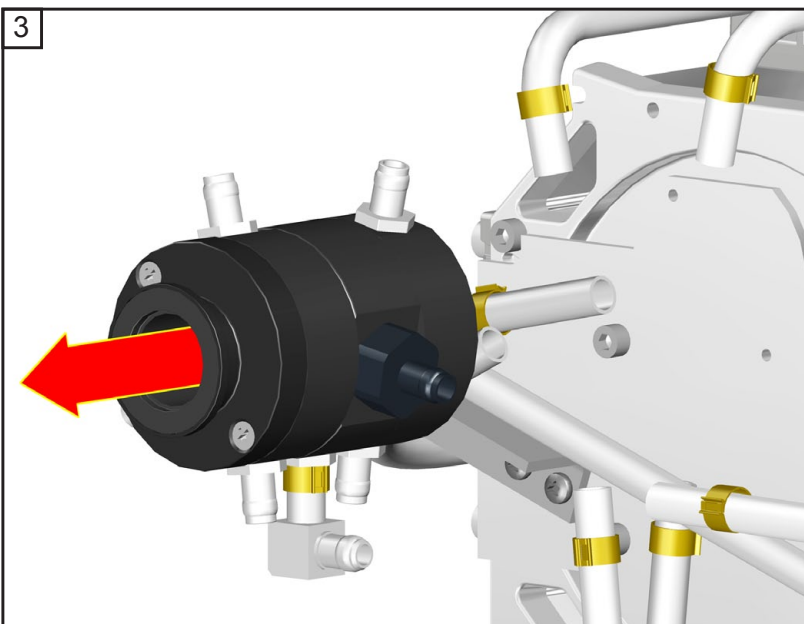


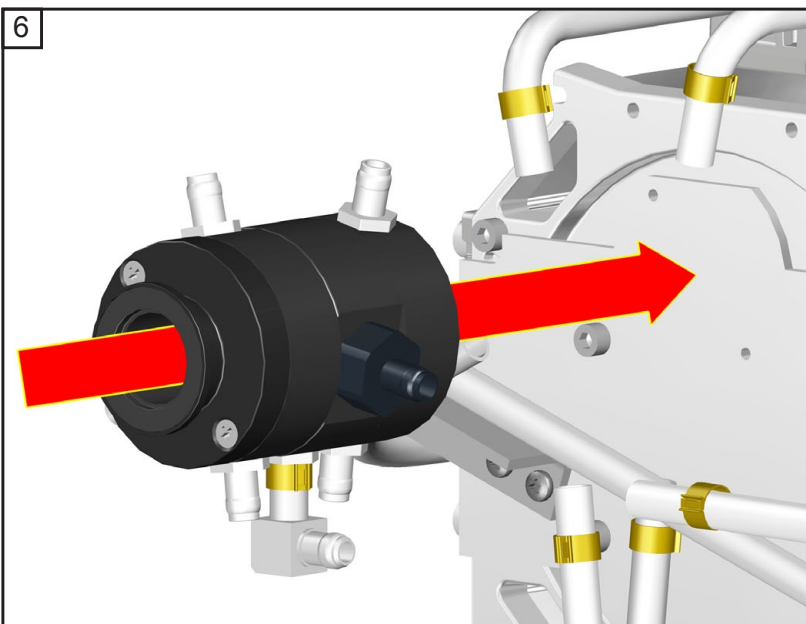
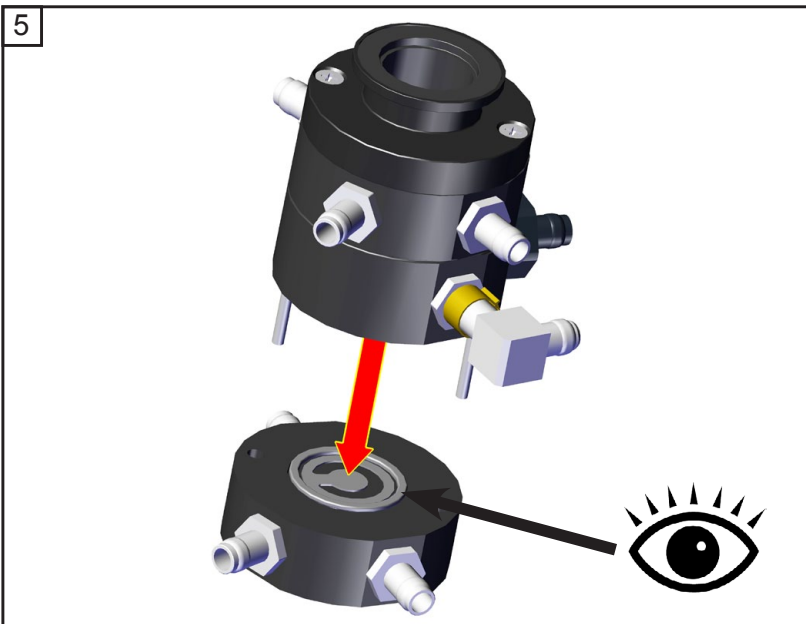
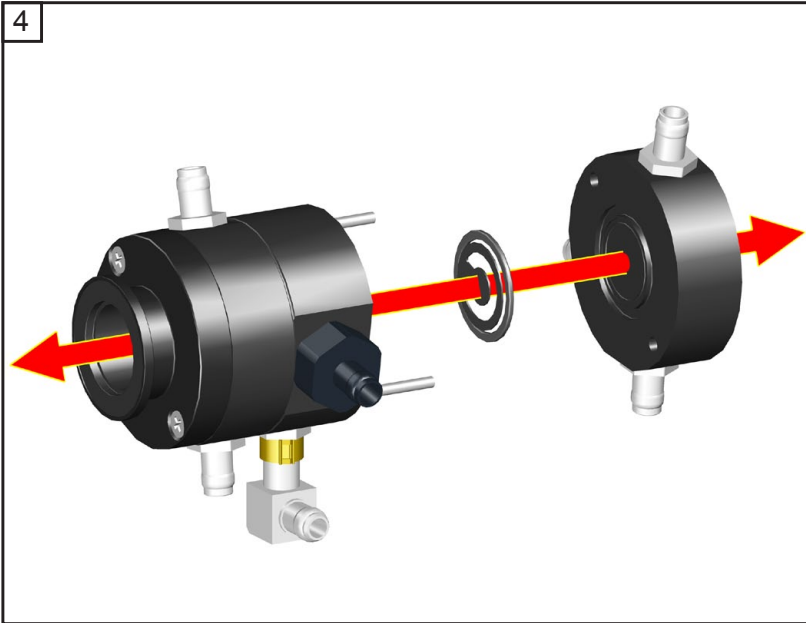
ME 16C NT VARIO o.C.
MD 12C NT VARIO o.C.
MV 10C NT VARIO o.C.

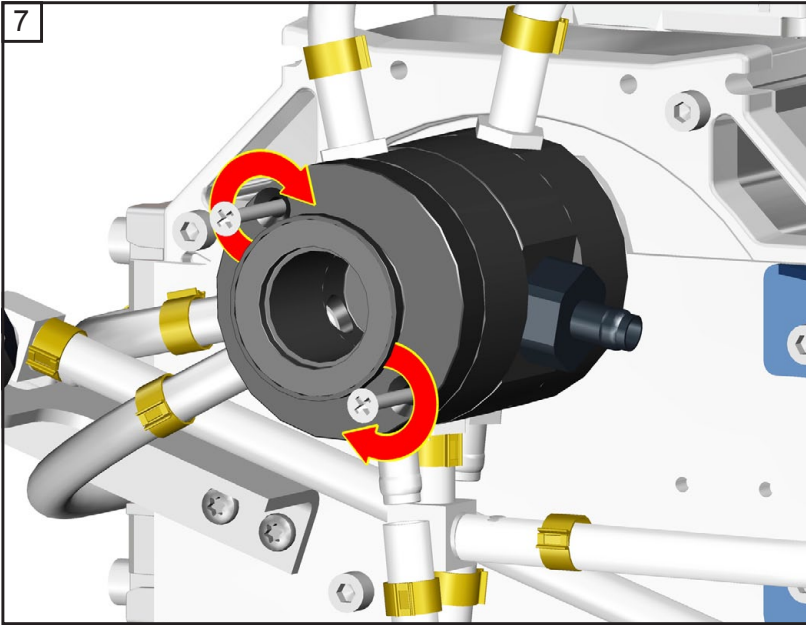
+ size 2
2x



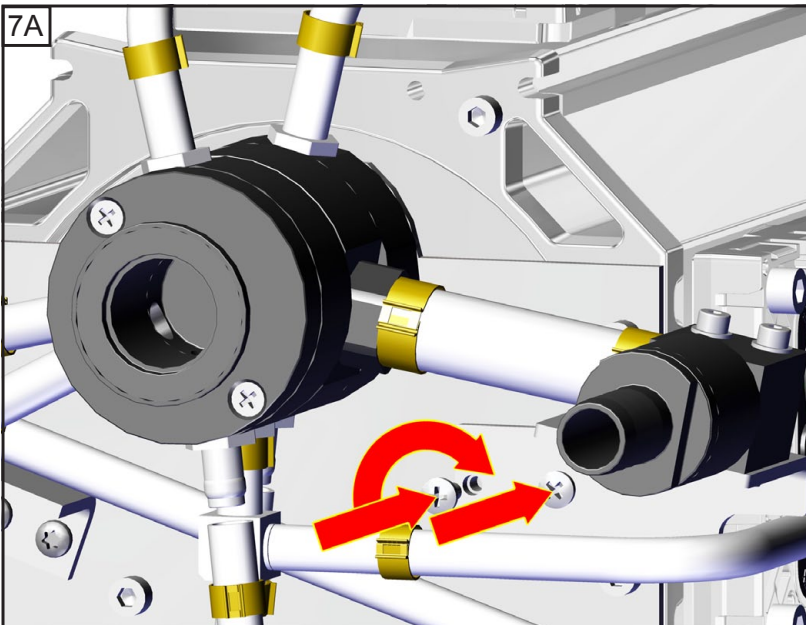
+ size 2
2x





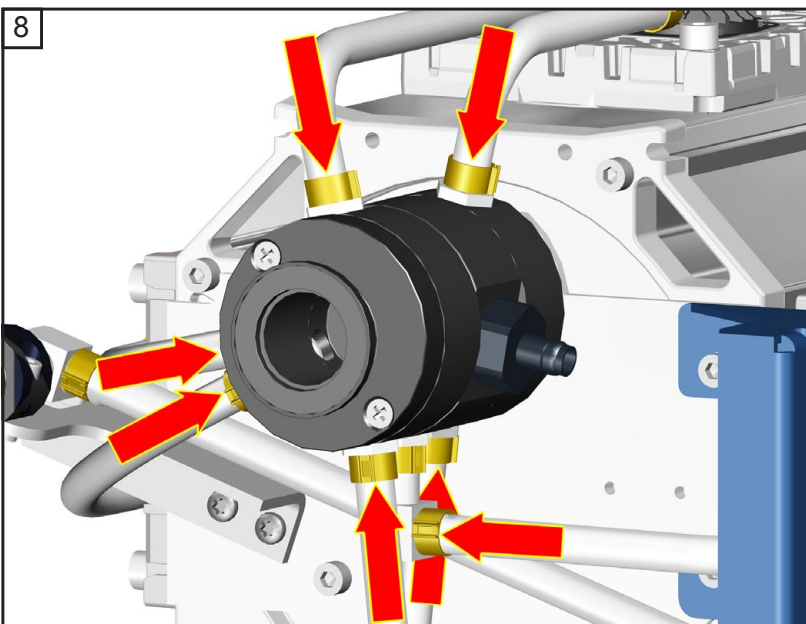


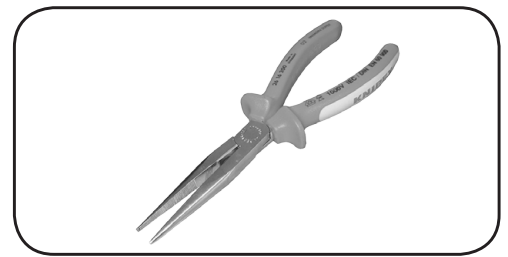
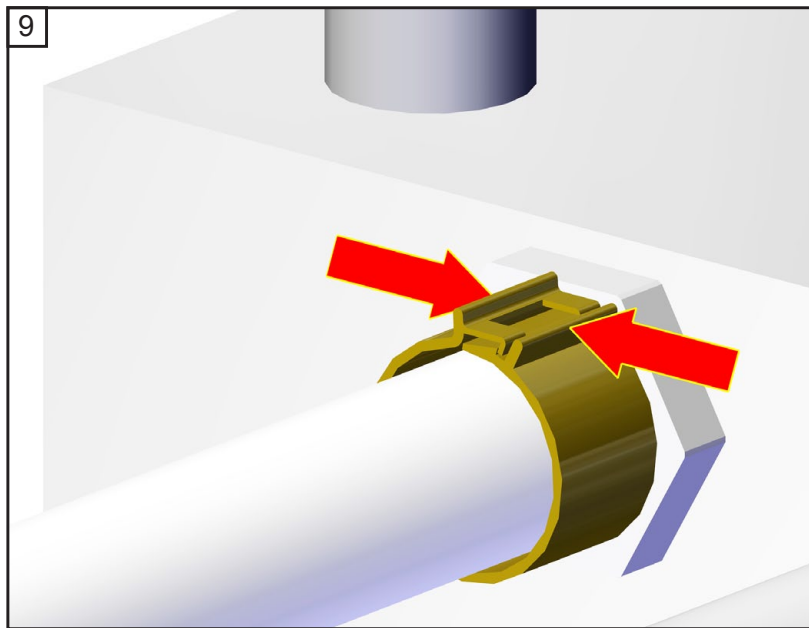
+ size 2
2x



ME 16C NT VARIO o.C.
MD 12C NT VARIO o.C.
MV 10C NT VARIO o.C.

+ size 2
2x

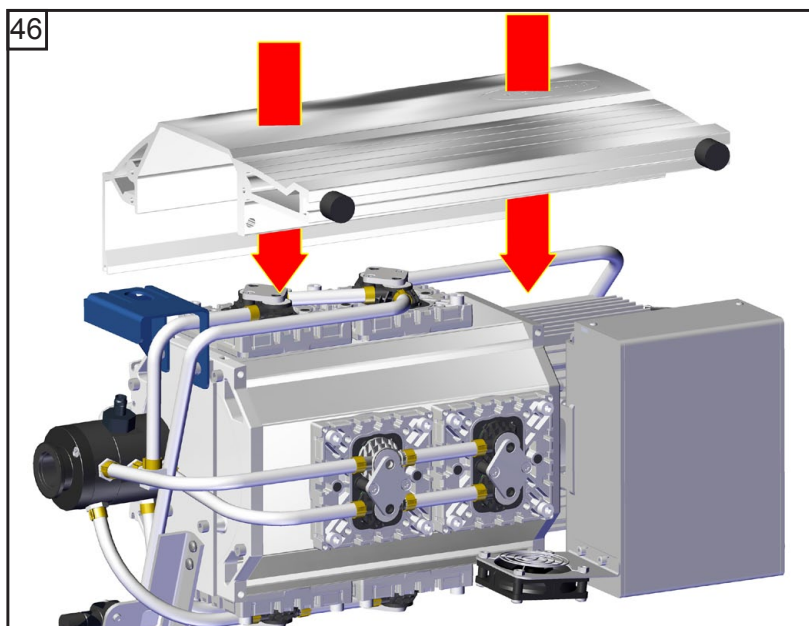


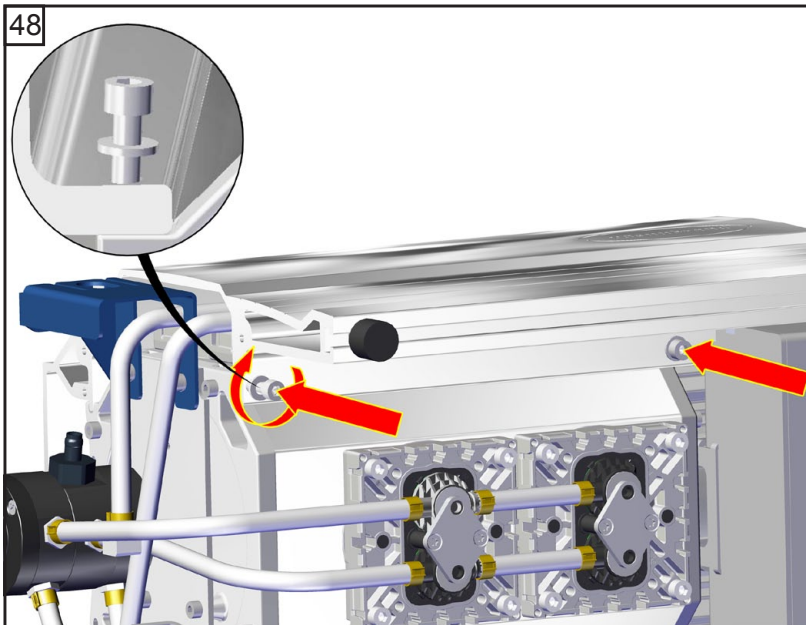
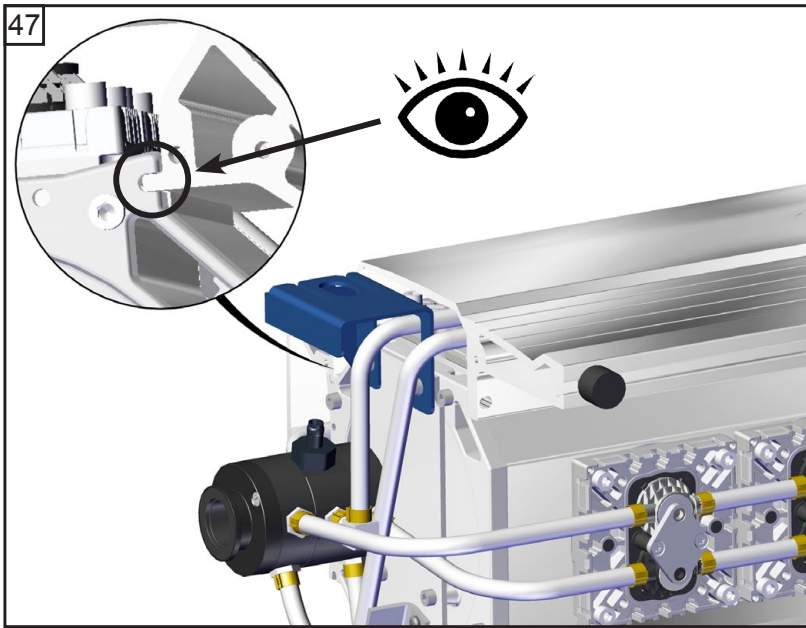




WARNING

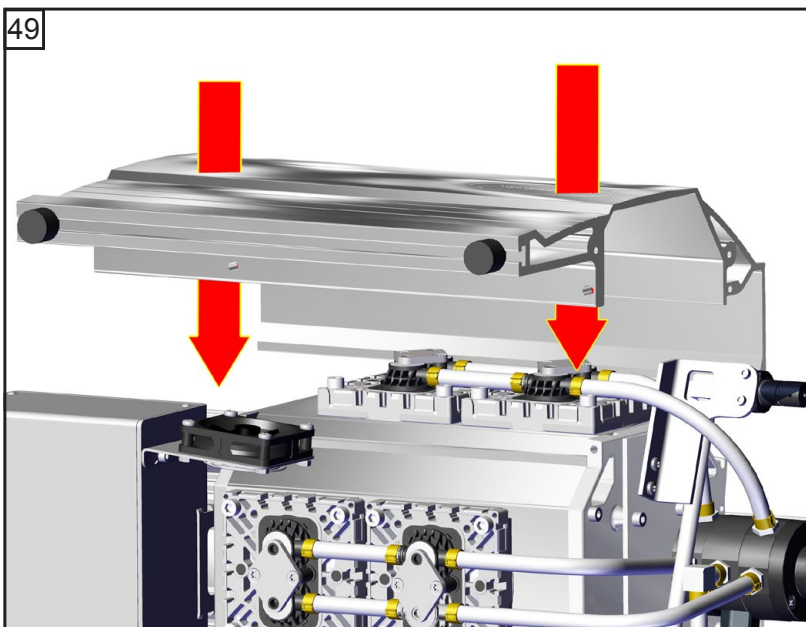
⚠ **Do not operate the pump without pump housing!**
Danger due to **freely rotating fan!**
Risk of overheating due to **missing cooling air guide.**

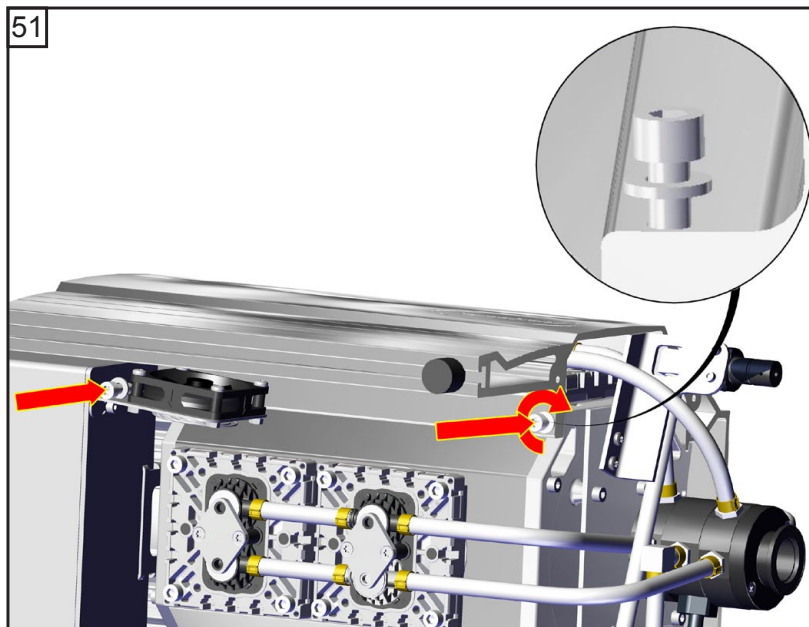
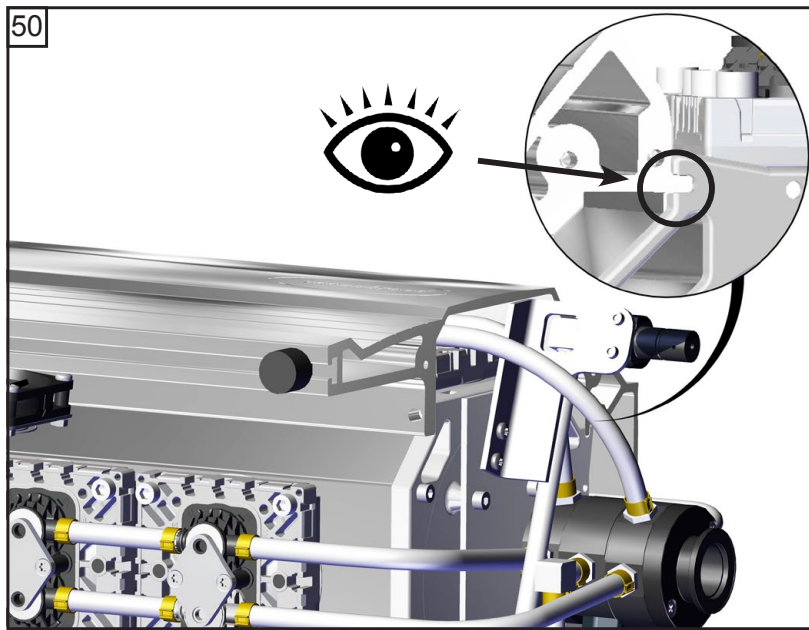
Assembling the pump housing





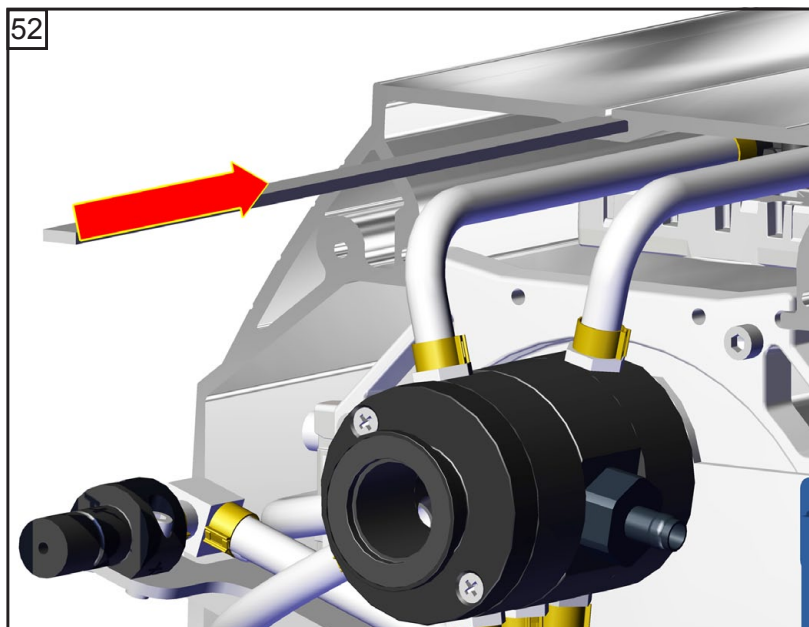


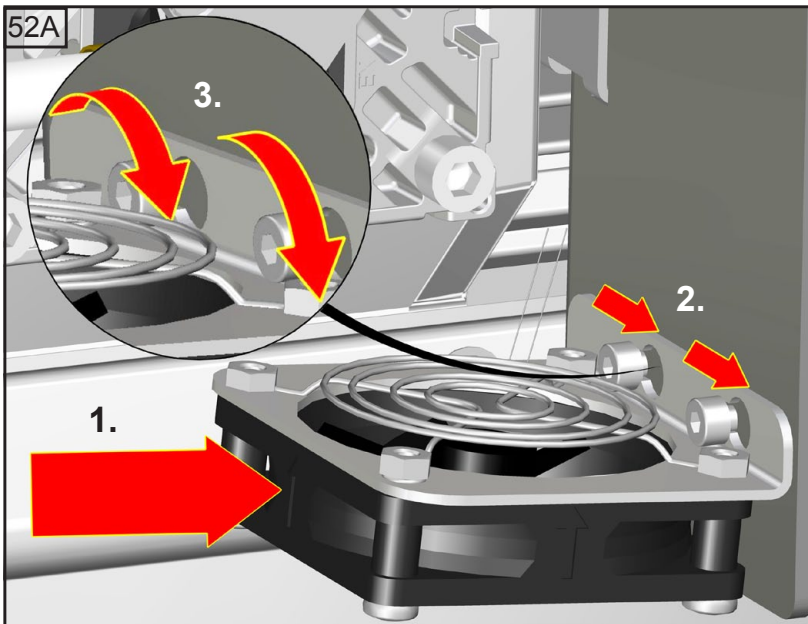
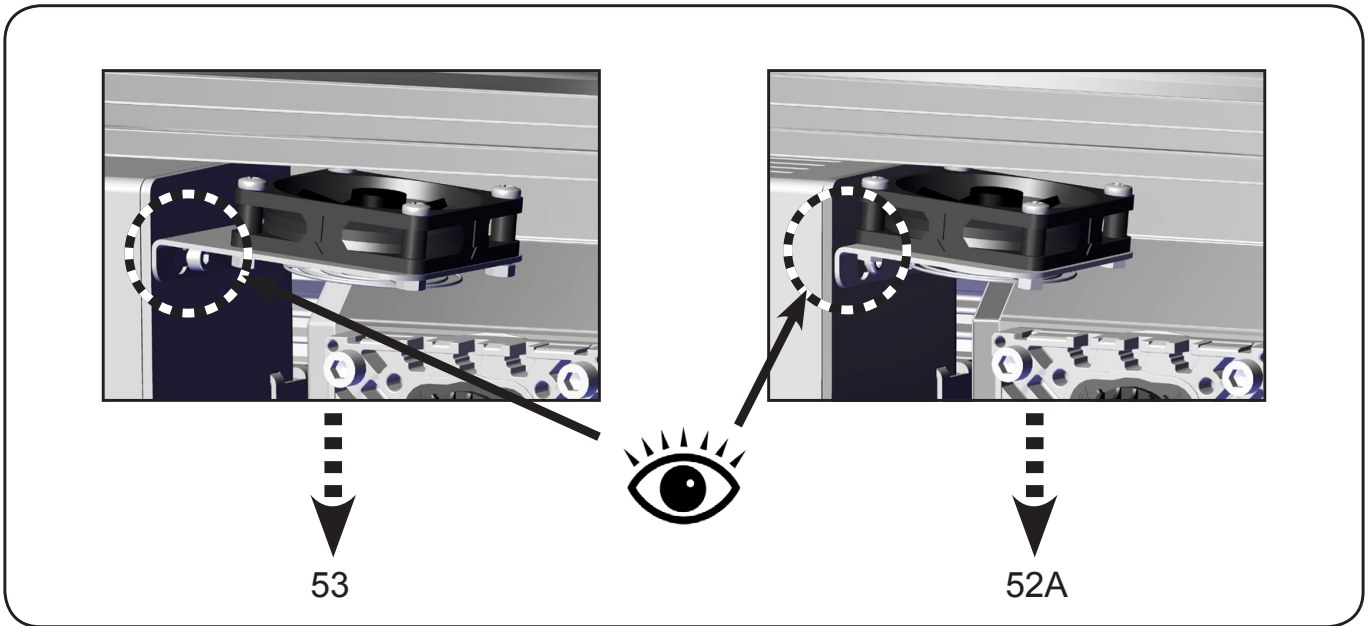
 5
2x
 **8.9 ft.lbf (12 Nm)**



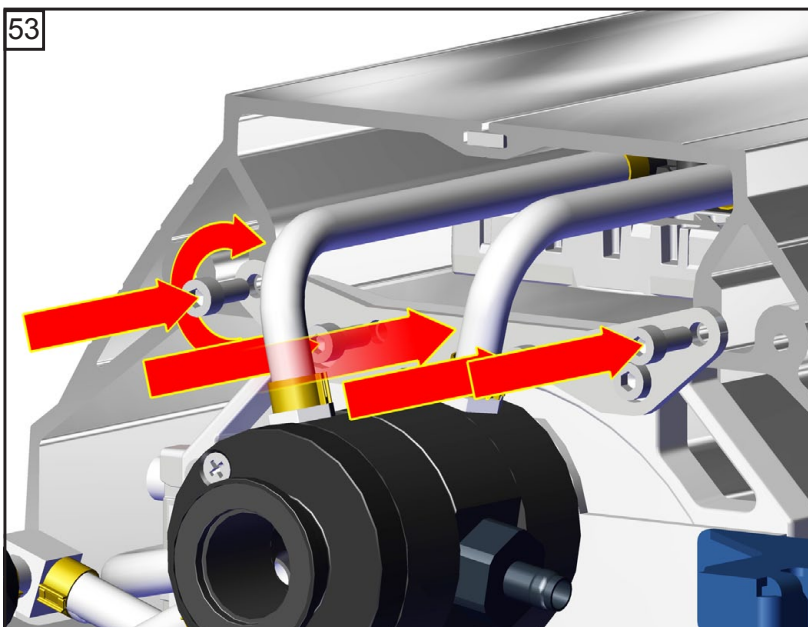




 5
2x
 **8.9 ft.lbf (12 Nm)**

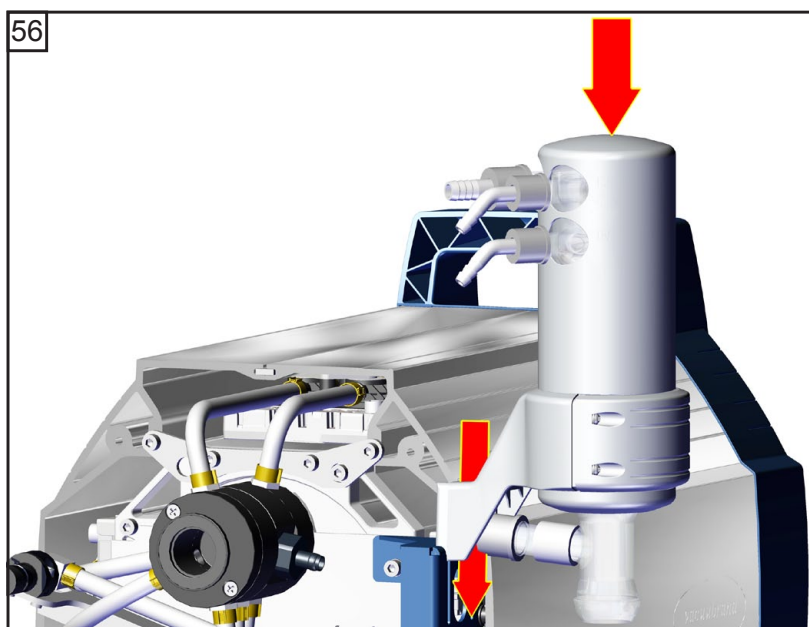
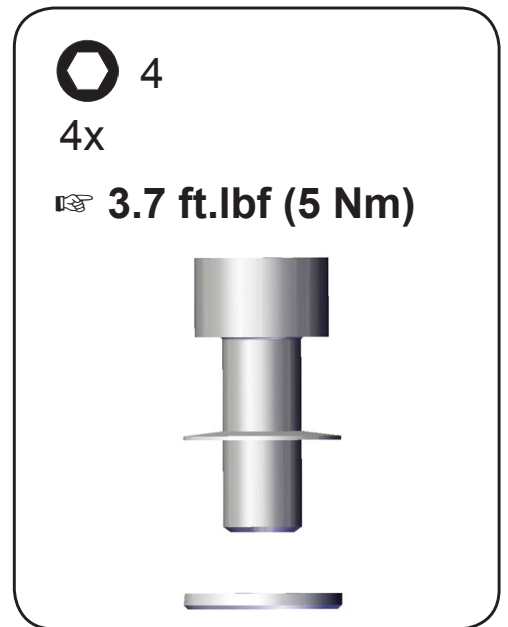
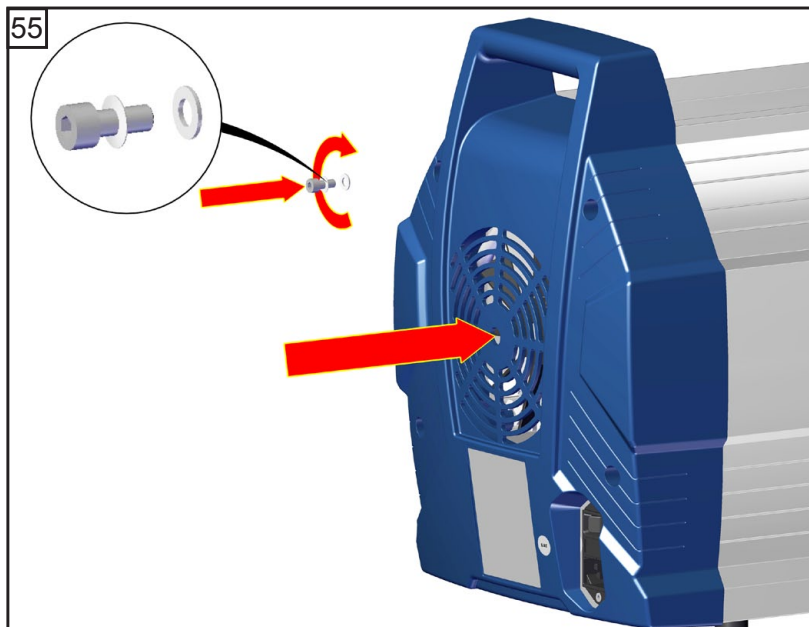
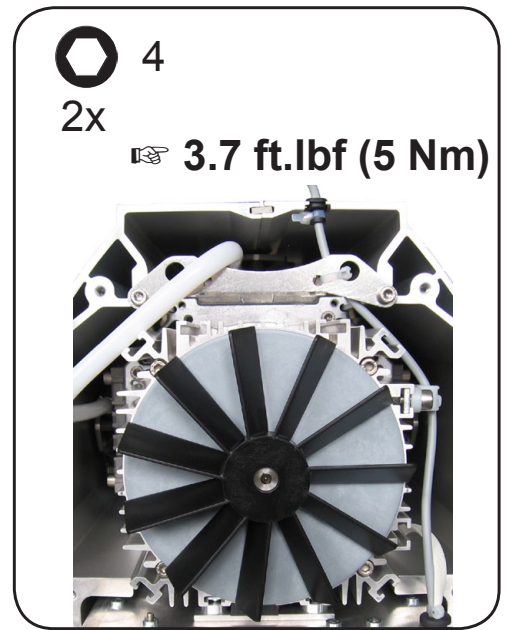
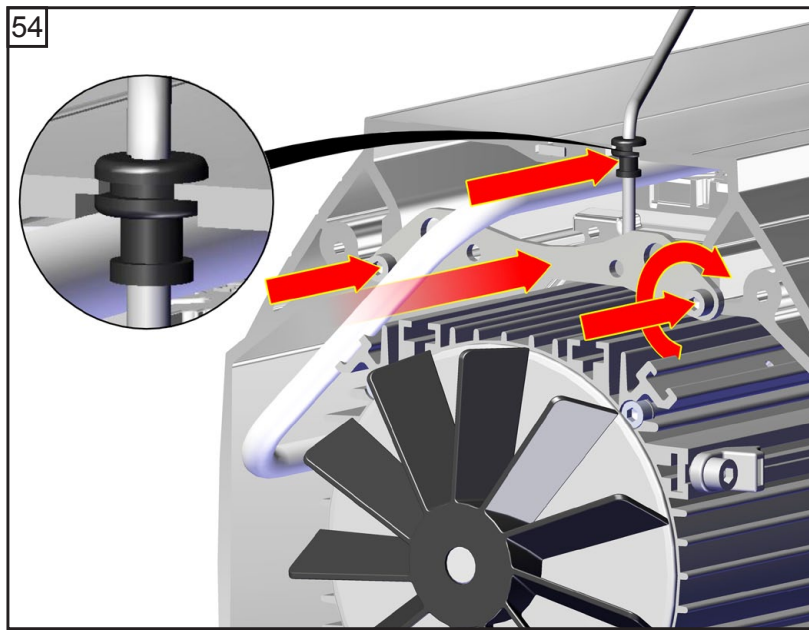


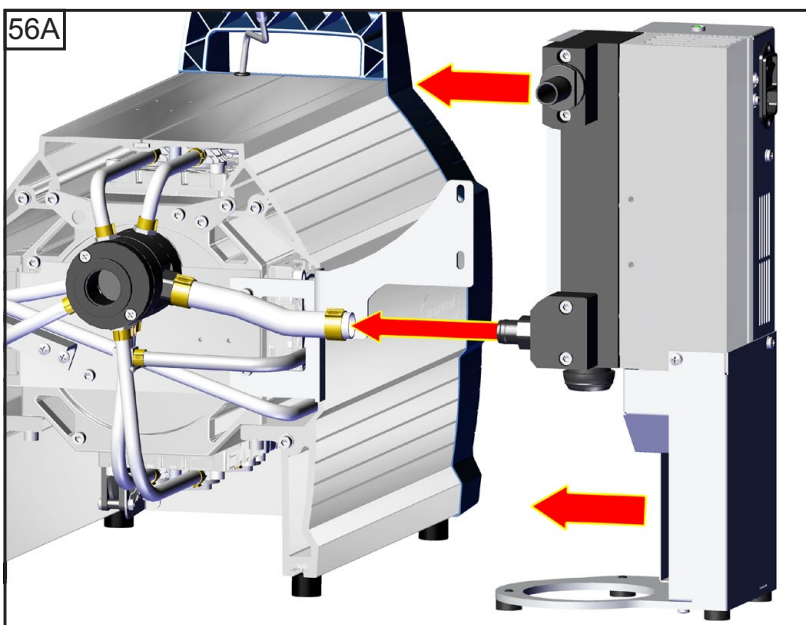
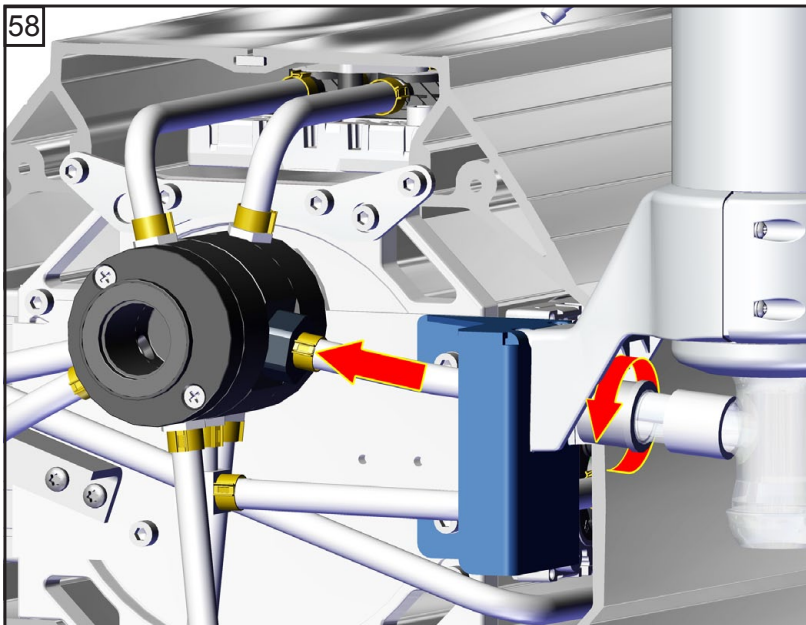
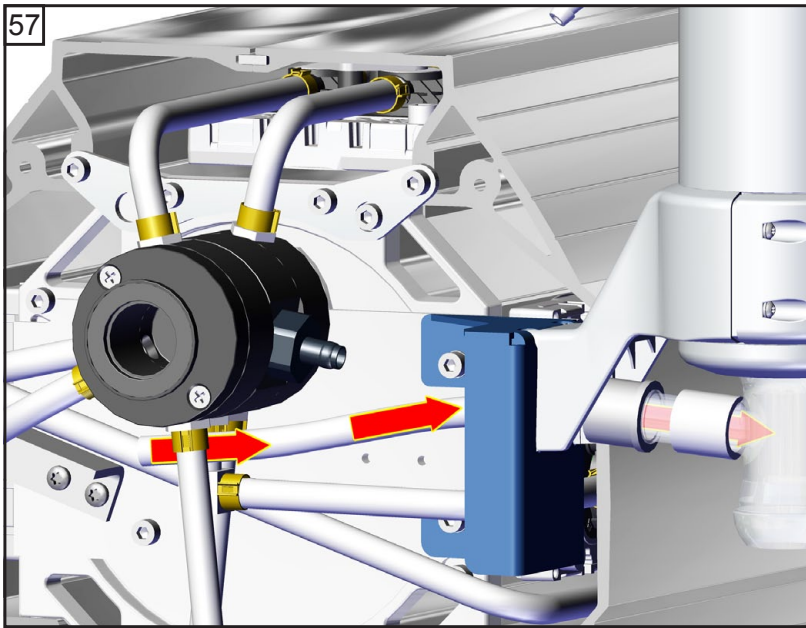


 3
2x

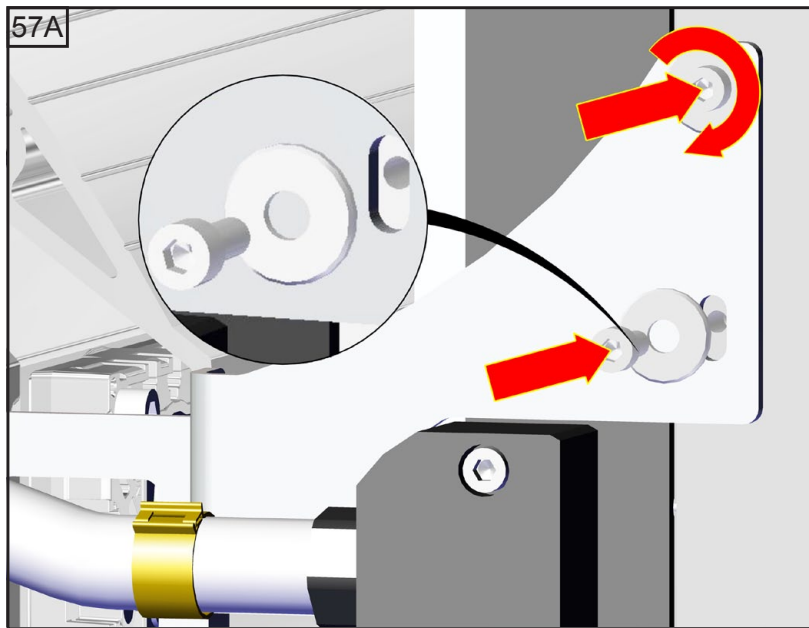


 4
4x
 **3.7 ft.lbf (5 Nm)**



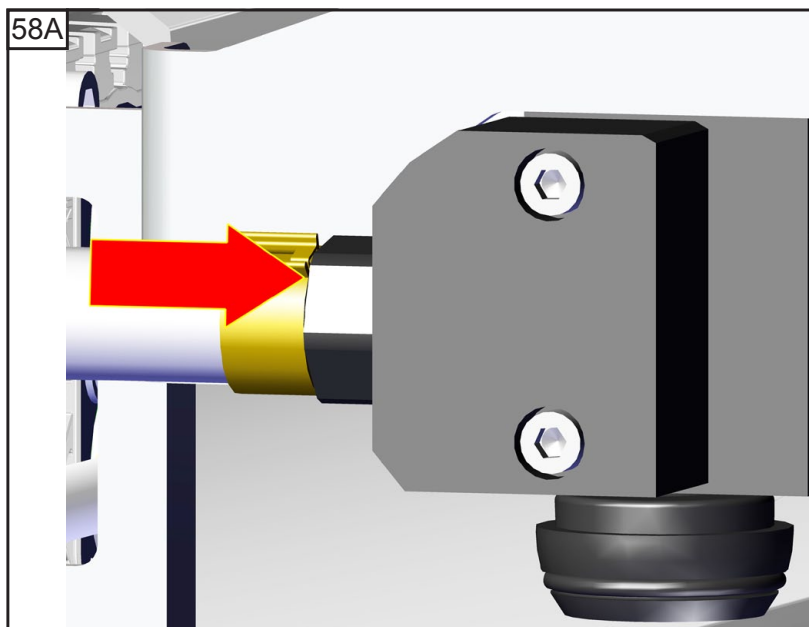


**Emission condenser
Peltronic**

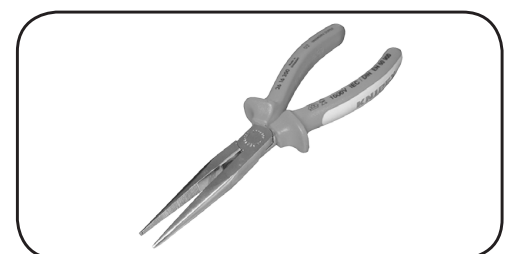
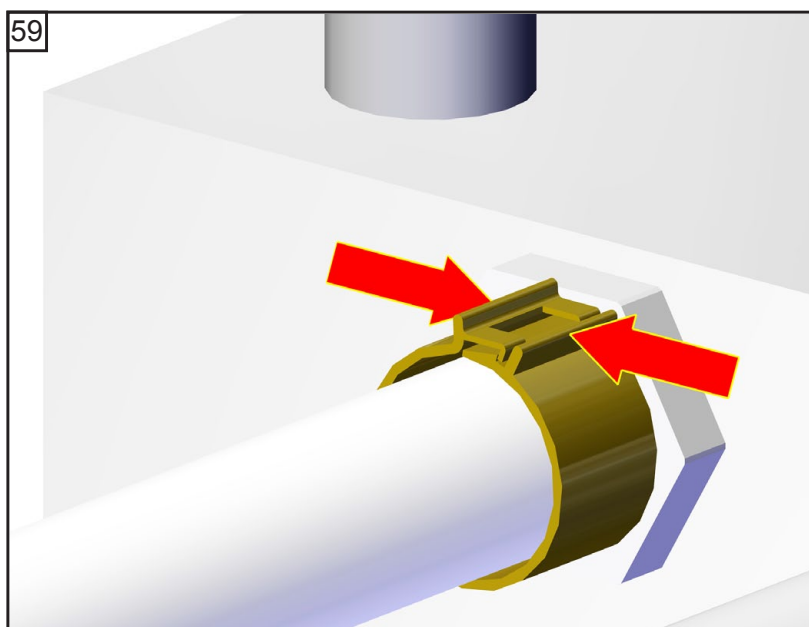


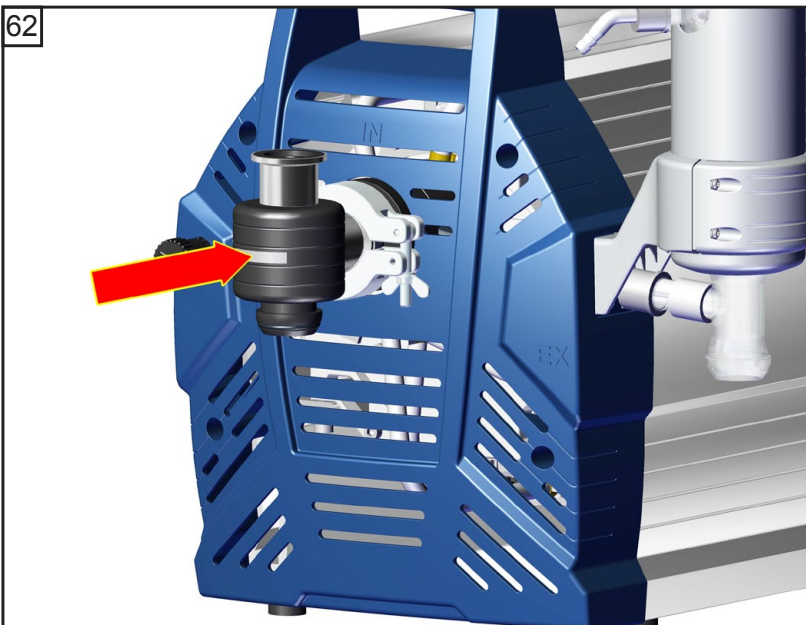
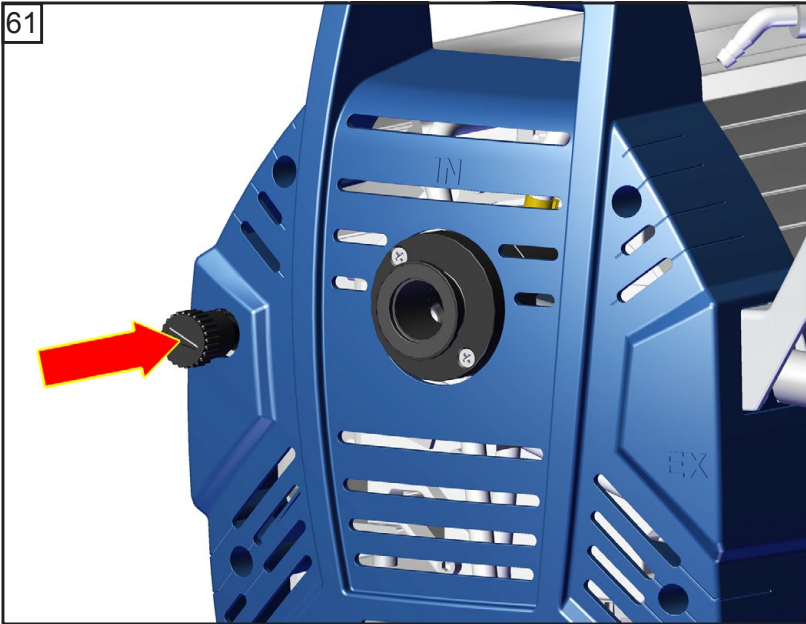
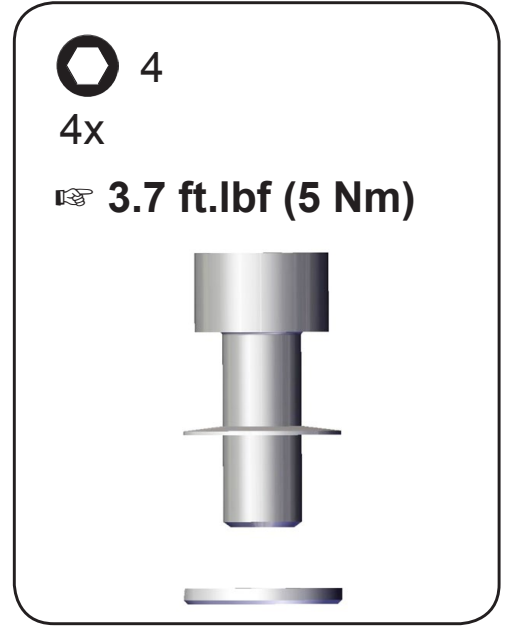
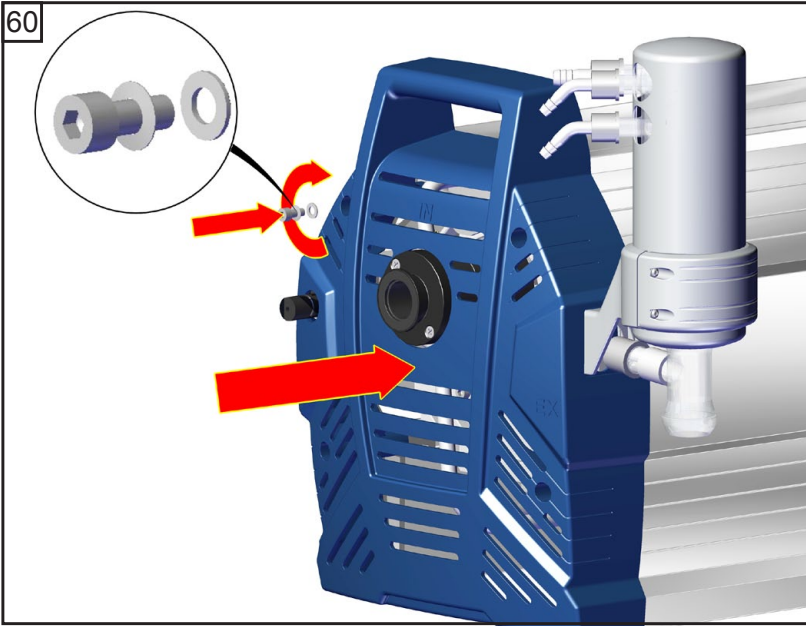
Emission condenser Peltronic

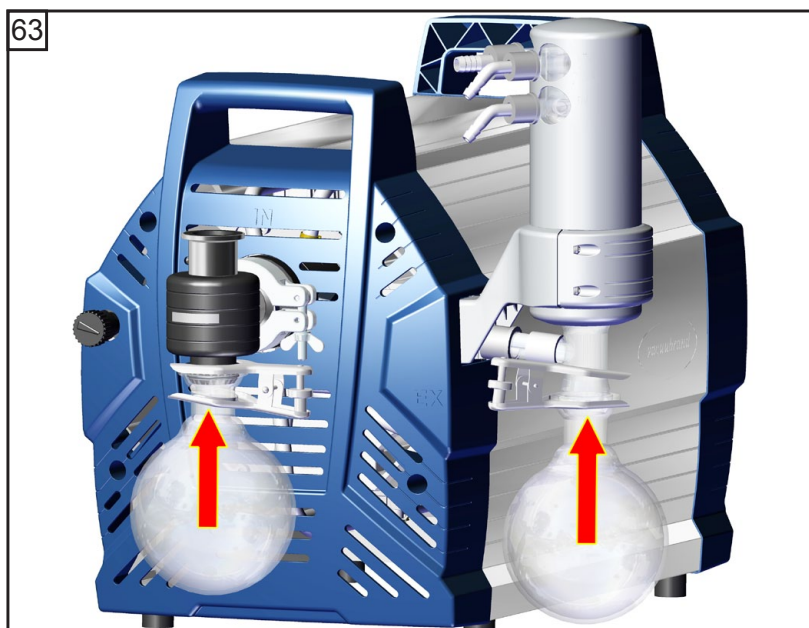
4
2x



Emission condenser Peltronic







Checking the ultimate vacuum

- ➔ After any intervention at the equipment (e.g., repair / maintenance) the ultimate vacuum of the pump has to be checked. Only if the pump achieves its specified ultimate vacuum, the pump's leak rate is low enough to ensure that no explosive atmospheres will occur in the interior of the equipment.

After any intervention at the vacuum sensor the leak rate of the equipment has to be checked.

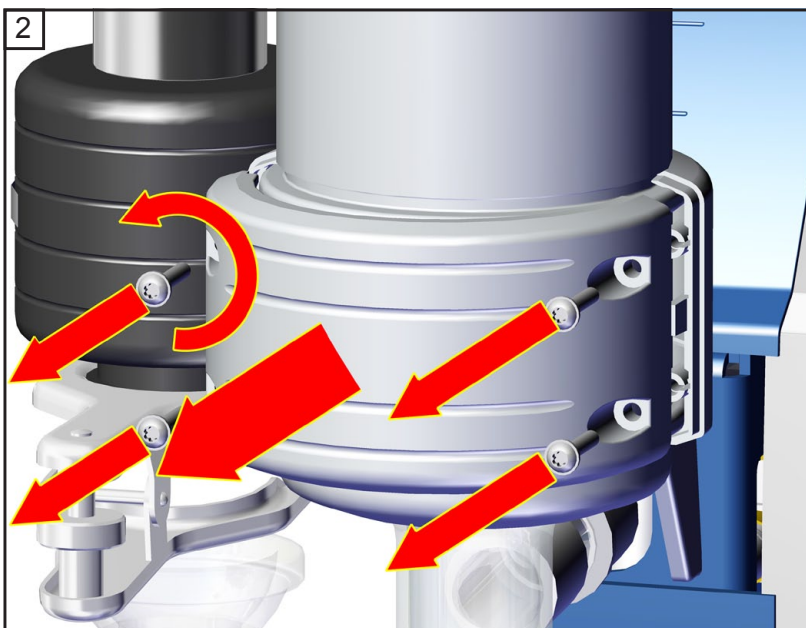
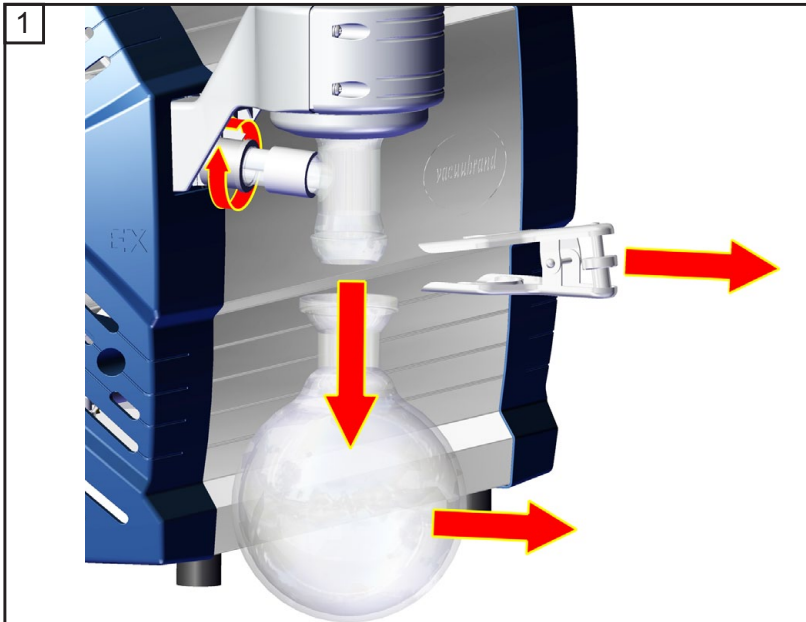
If the pump does not achieve the ultimate vacuum:

- Whenever the diaphragms and valves have been replaced, a break-in period of several hours is required before the pump achieves its ultimate vacuum.
- In case of an unusual noise, switch off pump immediately and check clamping disc positions.

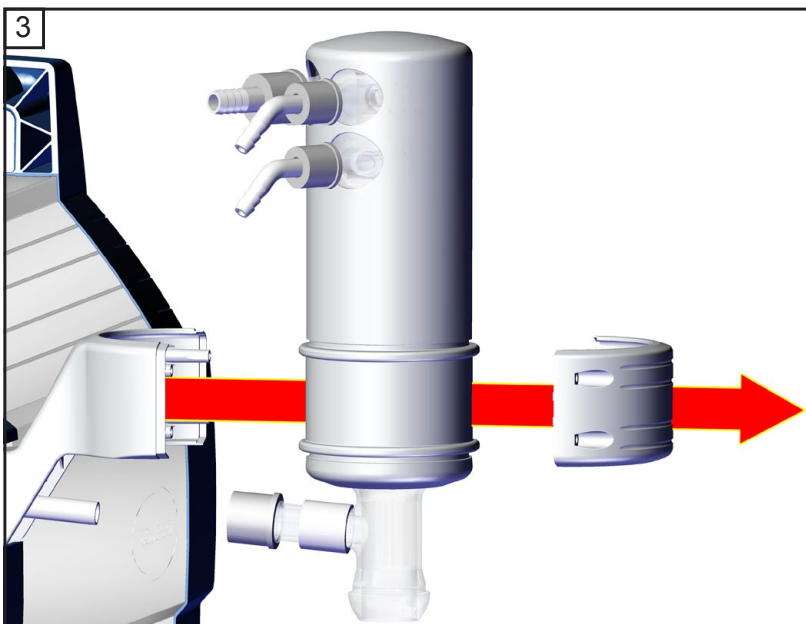
If the specified ultimate vacuum is not achieved, and if this does not change after the break-in period:

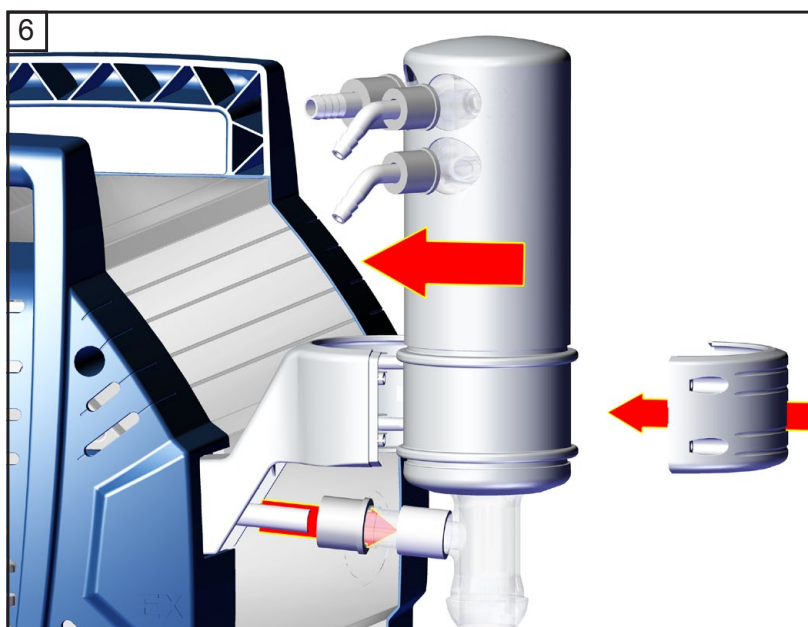
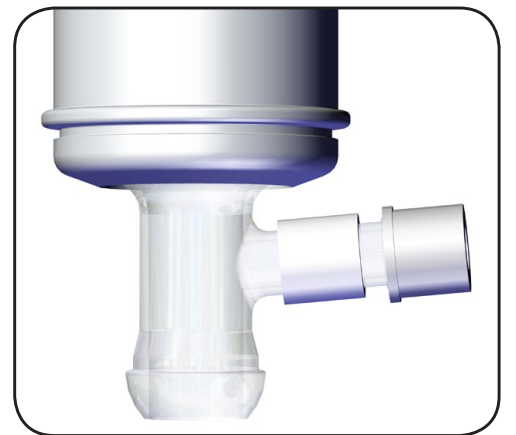
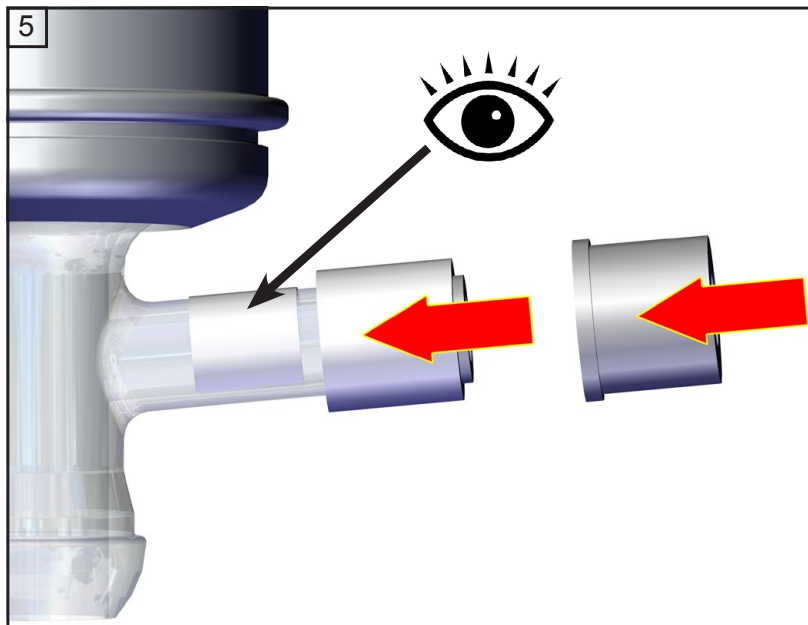
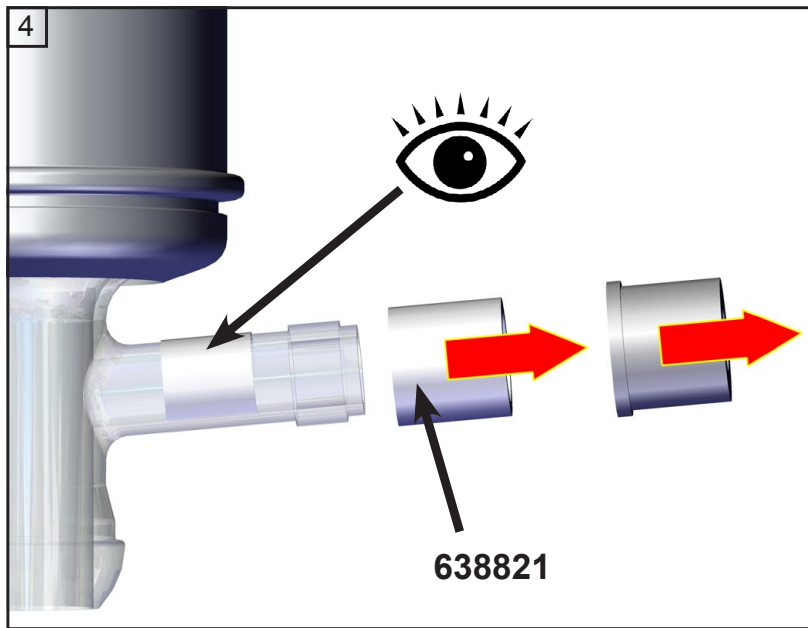
Check hose connectors at pump heads for leaks. If necessary recheck valve seats and pump chambers.

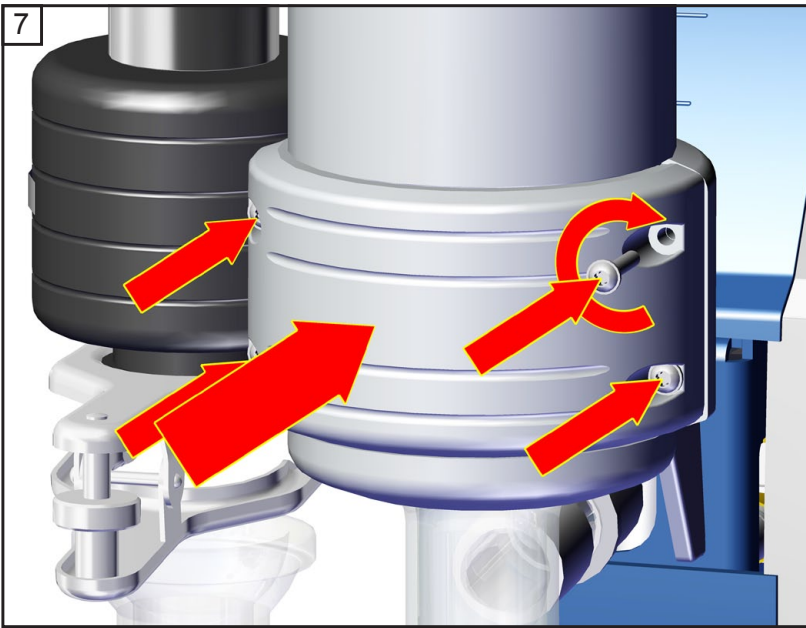
Replacing the overpressure safety relief device at the exhaust waste vapor condenser



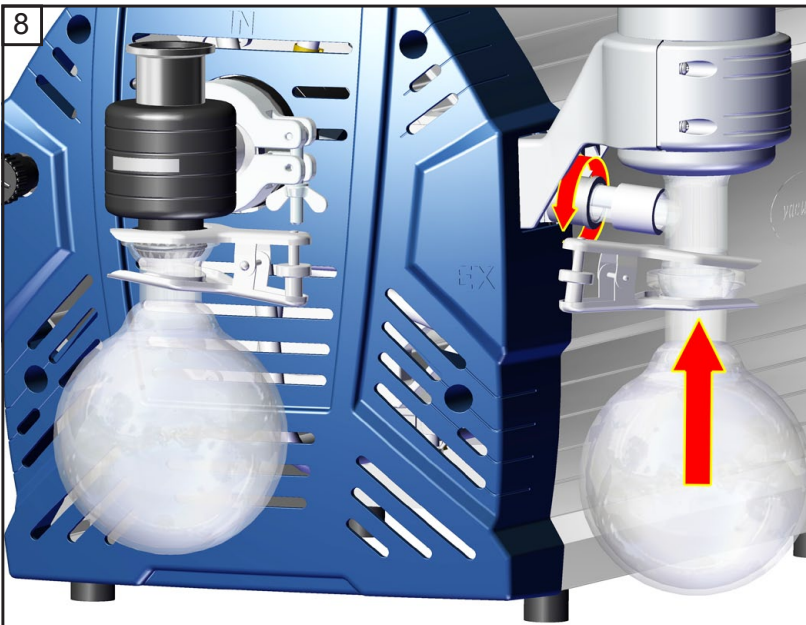
★ T20 / + size 1
4x / 4x







★ T20 / + size 1
4x / 4x



Notes on return to the factory

Repair - return - DAkkS calibration

NOTICE

Safety and health of our staff, laws and regulations regarding the handling of dangerous goods, occupational health and safety regulations and regulations regarding safe disposal of waste require that for all pumps and other products, the “**Health and safety clearance form**“, see pg. 126, must be sent to our office fully completed and signed before any equipment is shipped to the authorized service center.

Fax or mail a completed copy of the health and safety clearance form to us in advance. The declaration must arrive before the equipment. **Enclose a second completed copy with the product.** If the equipment is contaminated, you must notify the carrier.

No repair / DAkkS calibration is possible unless the correctly completed form is returned. Inevitably, there will be a delay in processing the equipment if information is missing, or if this procedure is not followed.

CAUTION

If the product has come in contact with chemicals, radioactive substances or other substances dangerous to health or environment, the product must be decontaminated **prior to sending it back to the service center.**

- Return the product to us disassembled and cleaned and accompanied by a certificate verifying decontamination or
- Contact an industrial cleaning and **decontamination service** directly or
- Authorize us to send the product to an industrial cleaning facility **at your expense.**

To expedite repair and to reduce costs, please enclose a detailed description of the problem and the product's operating conditions with every product returned for repair.

We submit **repair quotations** only on request and always at the customer's expense. If an order is placed, the costs incurred for problem diagnosis are offset from the costs for repair or from the purchase price, if the customer prefers to buy a new product instead of repairing the defective one.

- **If you do not wish a repair on the basis of our quotation, the equipment may be returned to you disassembled and at your expense.**

In many cases, the **components must be cleaned in the factory** prior to repair.

For cleaning we use an environmentally friendly water-based process. Unfortunately the combined attack of elevated temperature, cleaning agent, ultrasonic treatment and mechanical stress (from pressurized water) may result in damage to the paint. Please mark in the health and safety clearance form, if you wish a **repaint at your expense** just in case such a damage should occur.

We will also replace parts for cosmetic reasons at your request and at your expense.

NOTICE

Before returning the equipment, ensure that (if applicable):

- Oil sealed pumps: Oil has been drained and an adequate quantity of fresh oil has been filled in to protect against corrosion. Dispose according to regulations.
- Equipment has been cleaned and/or decontaminated (inside and outside).
- All inlet and outlet ports have been capped.
- Equipment has been properly packed, (if necessary, please order original packaging materials at your cost), marked appropriately and the carrier has been notified of any possible contamination.
- The completed health and safety clearance form is enclosed.

We thank you in advance for your understanding of the necessity for these measures that protect our employees, and ensure that your pump is protected in shipment.

Scrapping and waste disposal:

Dispose of the equipment and any components removed from it safely in accordance with all local and national safety and environmental requirements. Particular care must be taken with components and waste oil which have been contaminated with dangerous substances from your processes. Do not incinerate fluoroelastomer seals and O-rings.

- You may authorize us to dispose of the equipment **at your expense.**

Warranty

VACUUBRAND shall be liable for insuring that this product, including any agreed installation, has been free of defects at the time of the transfer of risk.

VACUUBRAND shall not be liable for the consequences of improper handling, use, servicing or operation of this product or the consequences of normal wear and tear of wearing parts such as diaphragms, seals, valves, vanes, condensers, oil and the breakage of glass or ceramic parts, for the consequences of chemical, electrochemical or electrical influences or the failure to follow the instructions in this manual.

Claims for defects against VACUUBRAND shall be limited to one year from delivery. The same shall apply to claims for damages irrespective of legal grounds.

For further information on general terms and conditions refer to www.vacuubrand.com.

Health and safety clearance form



Devices will not be accepted for any handling before we have received this declaration. Please read and comply with "Notes on return to the factory".
Oil filled pumps: Drain oil prior to shipping absolutely!

1. Device (Model): 2. Serial no.:
3. Reason for return / malfunction:

4. Has the device been used in a copper process step (e.g., semiconductor production). yes no

5. Substances (gases, liquids, solids) in contact with the device / which have been pumped:
.....
.....
.....

6. Prior to return to the factory the device has been decontaminated. yes no
Description of the decontamination method and the test / verification procedure:

7. The device is free of hazardous, harmful substances. yes no

8. Protective measures required for VACUUBRAND employees:
.....

9. If the paint is damaged, we wish a repaint or a replacement of parts for reason of appearance (repaint and replacement at customer's expense). yes no

10. Legally binding declaration

We assure for the returned device that all substances, which have been in contact with the device are listed in section 5 and that the information is complete and that we have not withheld any information. We declare that all measures - where applicable - have been taken listed in section "Return to the factory". By our signature below, we acknowledge that we accept liability for any damage caused by providing incomplete or incorrect information and that we shall indemnify VACUUBRAND from any claims as regards damages from third parties. We are aware that as expressed in § 823 BGB (Public Law Code of Germany) we are directly liable for injuries or damages suffered by third parties, particularly VACUUBRAND employees occupied with handling/repairing the product.
Shipping of the device must take place according to regulations.

Name: Signature:

Job title: Company's seal:

Date:

Release for repair grant by VACUUBRAND (date / signature):



**EG-Konformitätserklärung für Maschinen
EC Declaration of Conformity of the Machinery
Déclaration CE de conformité des machines**

Hersteller / Manufacturer / Fabricant:

VACUUBRAND GMBH + CO KG · Alfred-Zippe-Str. 4 · 97877 Wertheim · Germany

Hiermit erklärt der Hersteller, dass die Maschine konform ist mit den Bestimmungen der Richtlinie 2006/42/EG. Hereby the manufacturer declares that the machinery is in conformity with the directive 2006/42/EC.

Par la présente, le fabricant déclare, que la machine est conforme à directive 2006/42/CE.

Membranvakuumpumpe / Diaphragm vacuum pump / Pompe à membrane:

Typ / Type / Type: PC 3012 NT VARIO o.C.

Artikelnummer / Order number / Numéro d'article: 743824

Seriennummer / Serial number / Numéro de série: Siehe Typenschild / See rating plate / Voir plaque signalétique

Die Maschine ist konform mit weiteren Richtlinien / The machinery is in conformity with other directives / La machine est conforme à d'autres directives:

2006/95/EG, 2004/108/EG, 94/9/EG

Angewandte harmonisierte Normen / Harmonized standards applied / Normes harmonisées utilisées:

DIN EN 12100, DIN EN 61010-1, DIN EN 1012-2, DIN EN 1127-1, EN 13463-1,

DIN EN 61326-1: 230V: Klasse / class / classe A + B

Bevollmächtigter für die Zusammenstellung der technischen Unterlagen / Person authorised to compile the technical file / Personne autorisée à constituer le dossier technique:

Dr. J. Dirscherl · VACUUBRAND GMBH + CO KG · Alfred-Zippe-Str. 4 · 97877 Wertheim · Germany

Wertheim, 04.07.2012

Ort, Datum / place, date / lieu, date

(Dr. F. Gitmans)

Geschäftsführer / Managing director / Gérant

ppa.

(Dr. J. Dirscherl)

Technischer Leiter / Technical Director /
Directeur technique



VACUUBRAND GMBH + CO KG
Alfred-Zippe-Str. 4 · 97877 Wertheim
Tel.: +49 9342 808-0 · Fax: +49 9342 808-5555
E-Mail: info@vacuubrand.de
Web: www.vacuubrand.com

Disclaimer: Our technical literature is only intended to inform our customer. The applicability of general empirical values and results obtained under lab conditions to your specific operations depends on a number of factors beyond our control. It is, therefore, strictly the users' responsibility to very carefully check the application of these data to their specific requirements. No claims arising from the information provided in this literature will, consequently, be entertained.



Alfred-Zippe-Str. 4 · 97877 Wertheim / Germany
T +49 9342 808-0 · F +49 9342 808-5555
info@vacuubrand.com · www.vacuubrand.com

VACUUBRAND GMBH + CO KG
- Technology for Vacuum Systems -
© 2012 VACUUBRAND GMBH + CO KG Printed in Germany